

6

5

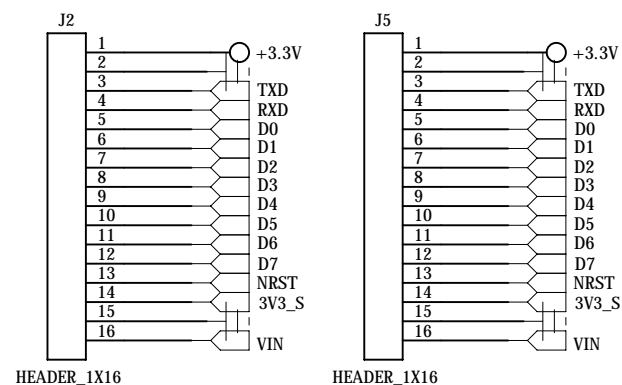
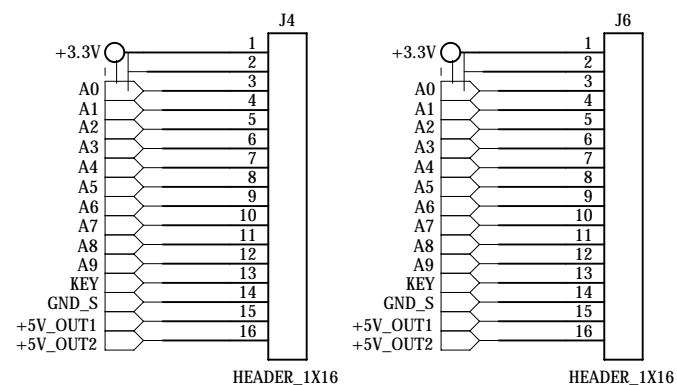
4

3

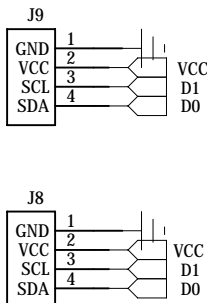
2

1

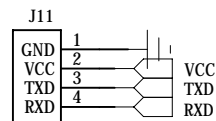
REVISION RECORD			
LTR	ECO NO:	APPROVED:	DATE:



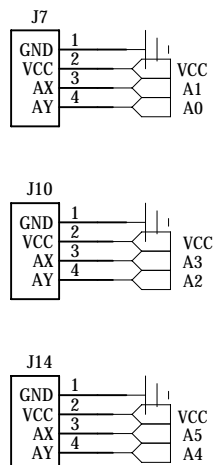
I2C



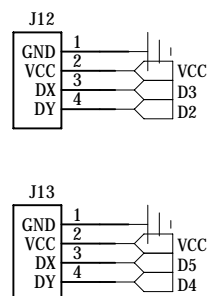
USART



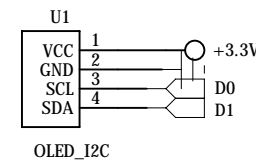
Analog IO



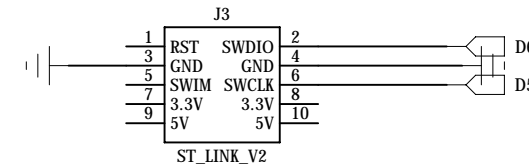
Digital IO



OLED



SWD



COMPANY:		MOLMC		
TITLE: IntoRobot-ANF-S				
CHECKED: ZHAOHONGMING	DATED: 20170502	CODE: M003	SIZE: B	REV: B
QUALITY CONTROL: ROBIN	DATED: 20170506	DRAWING NO: PM 162501		REV: B
RELEASED: LVJUNHUA	DATED: 20170508	SCALE: <Scale>		SHEET: bf 2

D

C

B

A

D

C

B

A

6

5

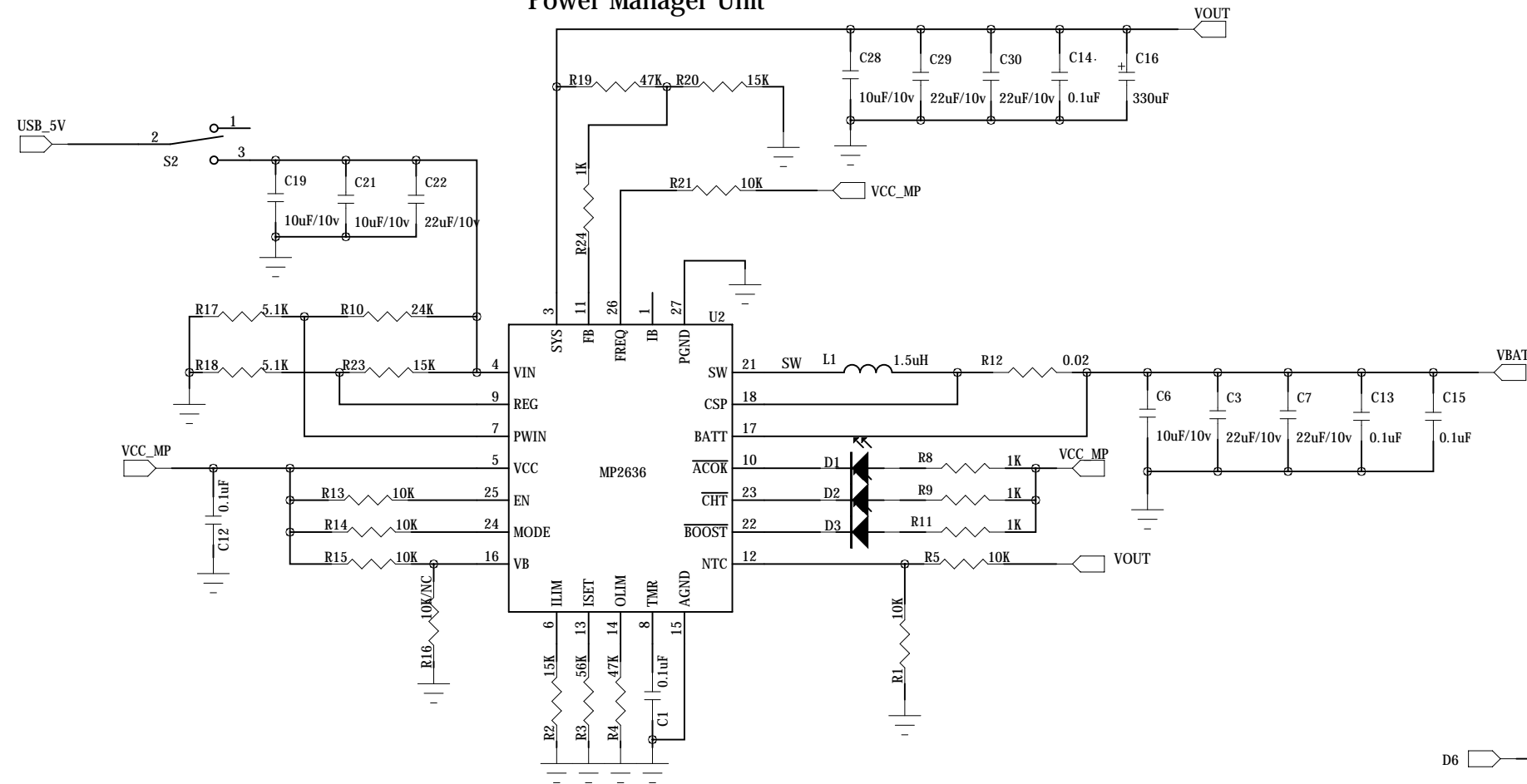
4

3

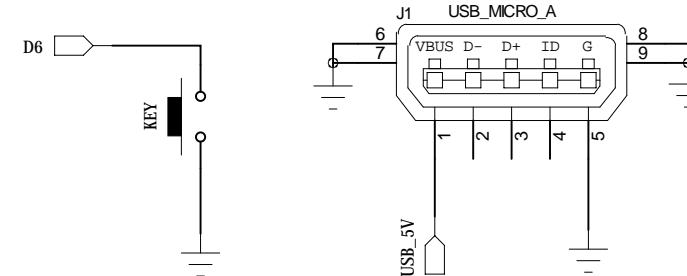
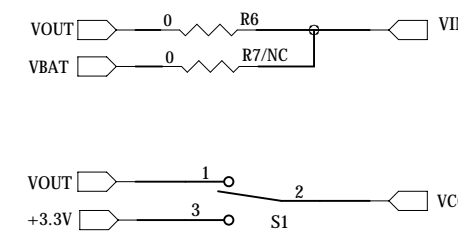
2

1

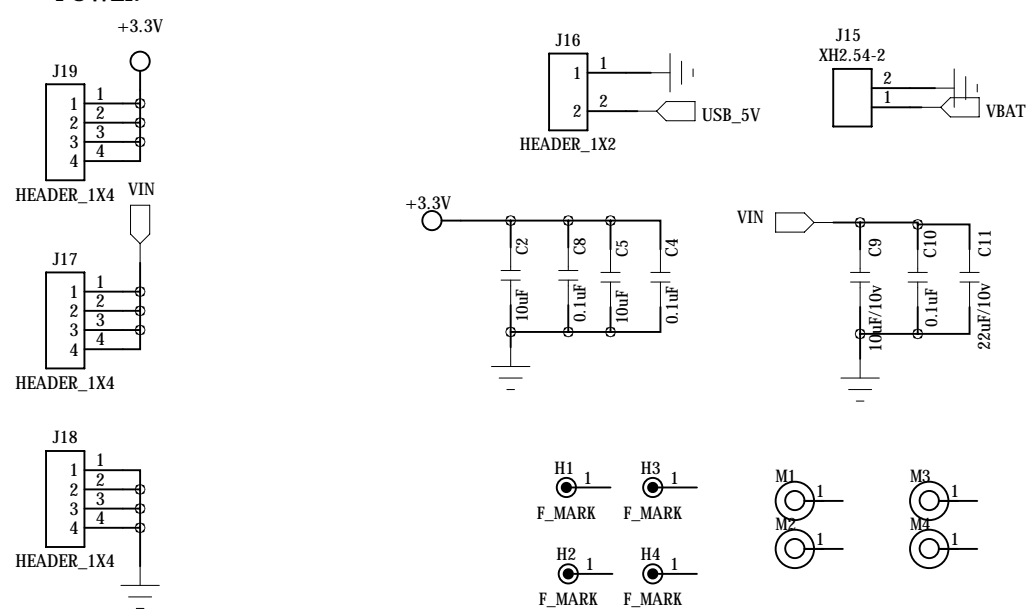
Power Manager Unit



REVISION RECORD			
LTR	ECO NO:	APPROVED:	DATE:



POWER



COMPANY:		MOLMC		
TITLE:				
IntoRobot-ANF-S				
CODE:	SIZE:	DRAWING NO:	REV:	
M003	B	PM 162501	B	
SCALE: <Scale>			SHEET: 2F 2	

DRAWN: LVJUNHUA	DATED: 20170502
CHECKED: ZHAOHONGMING	DATED: 20170505
QUALITY CONTROL: ROBIN	DATED: 20170506
RELEASED: LVJUNHUA	DATED: 20170508

D

C

B

A

D

C

B

A