

6

5

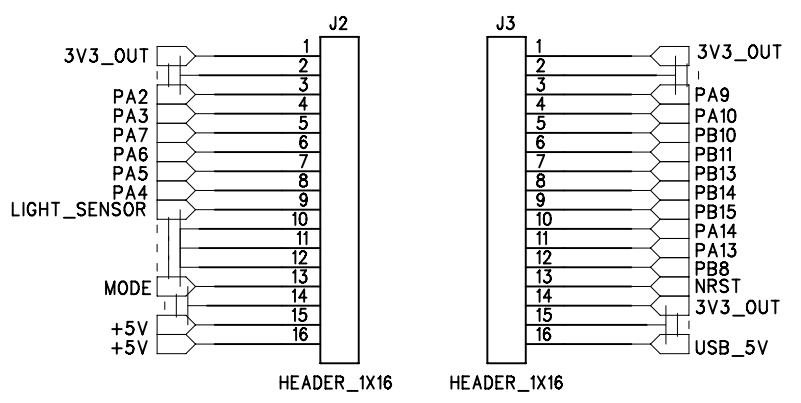
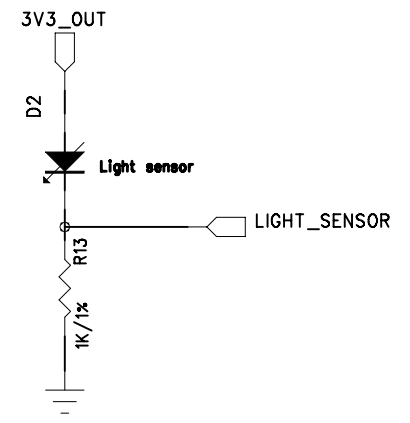
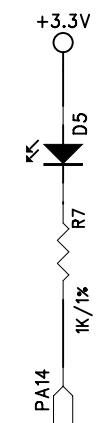
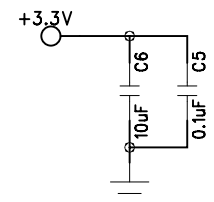
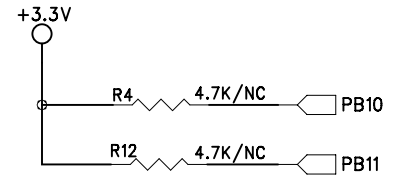
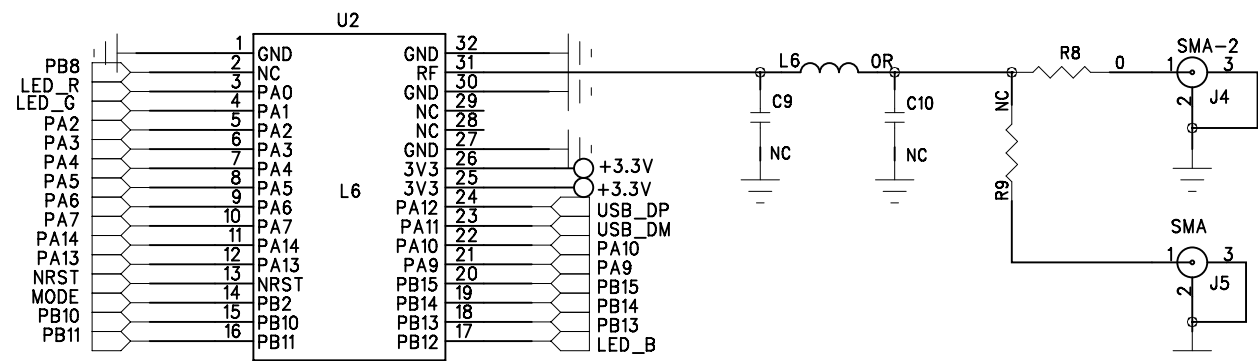
4

3

2

1

REVISION RECORD			
LTR	ECO NO:	APPROVED:	DATE:



COMPANY:		MOLMC		
TITLE: Intorobot-Ant				
DRAWN: HERMAN	DATED: 20170120	CODE: M003	SIZE: B	DRAWING NO: PM 162501
CHECKED: WEI	DATED: 20170110	REV: B		
QUALITY CONTROL: ROBIN	DATED: 20170115			
RELEASED: HERMAN	DATED: 20170115			
SCALE: <Scale>				SHEET: 1 OF 2

D

D

C

C

B

B

A

A

6

5

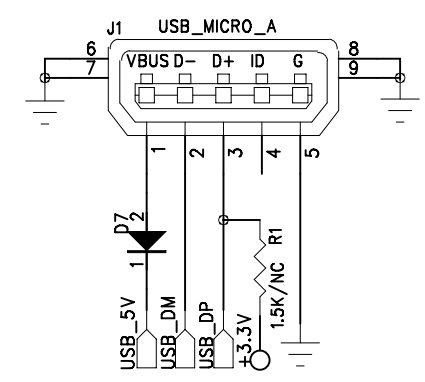
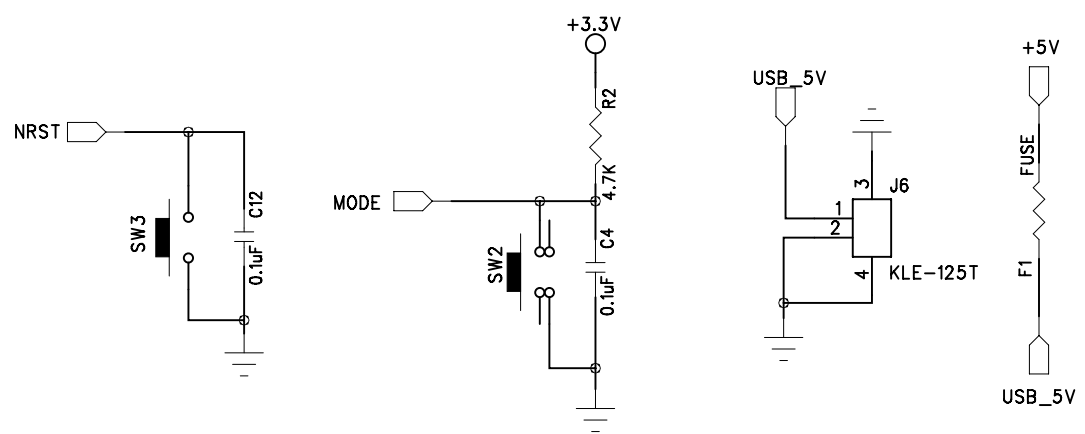
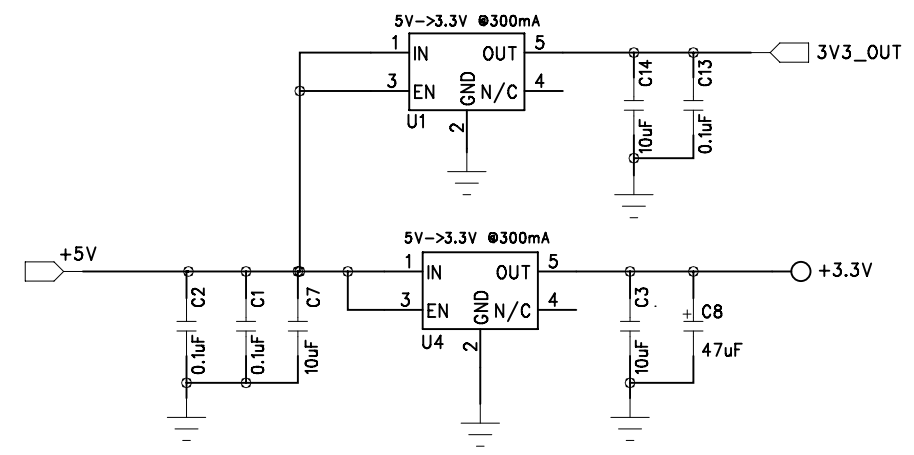
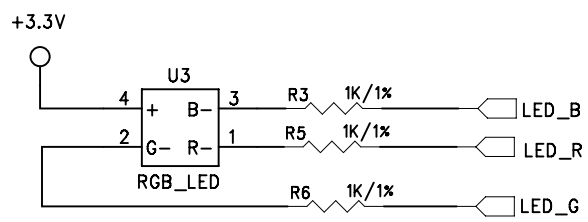
4

3

2

1

REVISION RECORD			
LTR	ECO NO:	APPROVED:	DATE:



COMPANY:		MOLMC		
TITLE: Intorobot-Ant				
DRAWN: HERMAN	DATED: 20170120	CODE: M003	SIZE: B	REV: B
CHECKED: WEI	DATED: 20170110	DRAWING NO: PM 162501		REV: B
QUALITY CONTROL: ROBIN	DATED: 20170115	SHEET: 2 OF 2		
RELEASED: HERMAN	DATED: 20170115	SCALE: <Scale>		

D

C

B

A

D

C

B

A