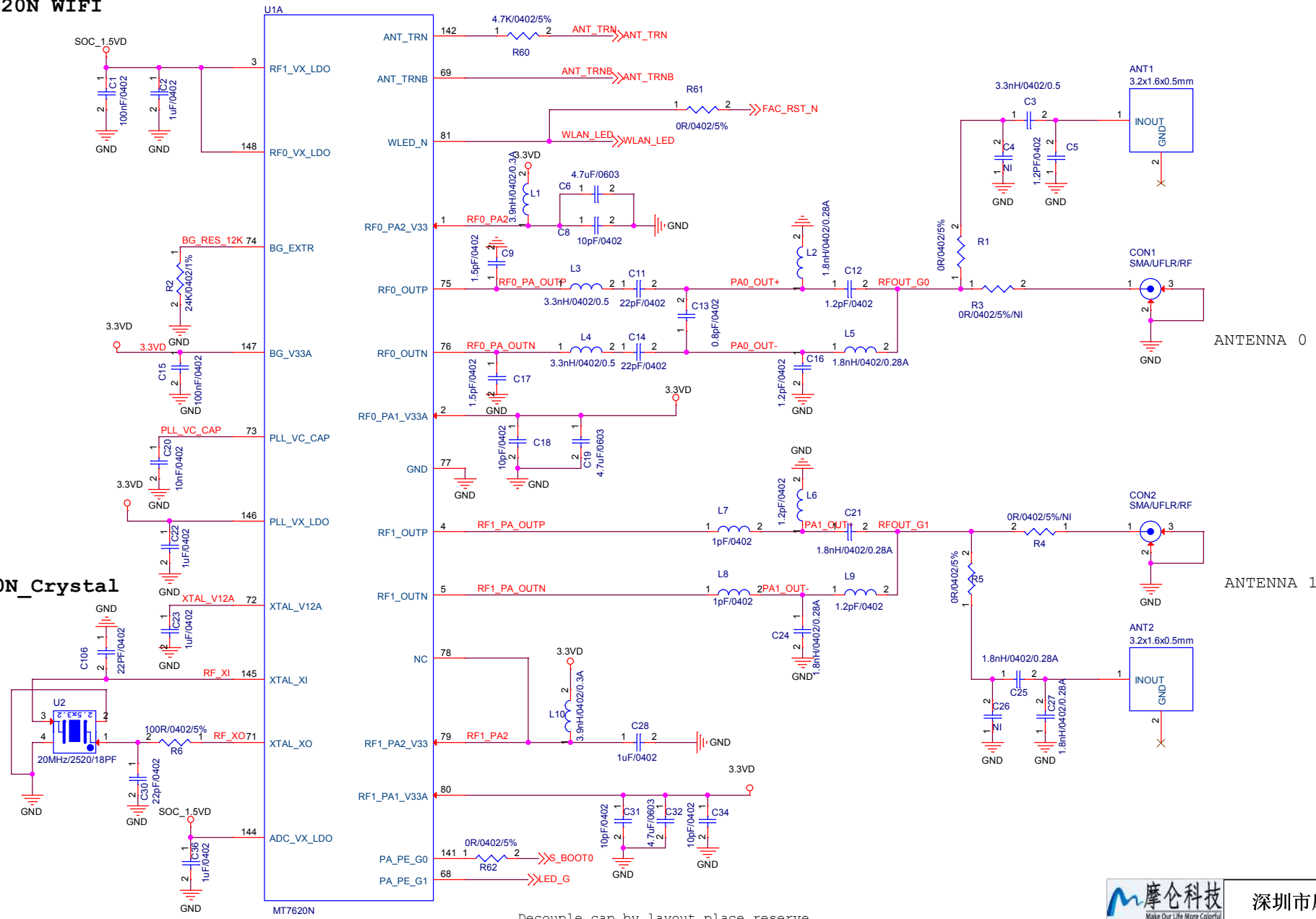
		深圳市摩仑科技有限公司	
Size	Custom	Title	Inlorobot
Sheet 1 of 9		Document Number	<Doc>
Date: Sunday, June 28, 2015		Rev	2.0
Design By: Hardware Team		Checked By: Hardware Team	

MTK7620N WIFI

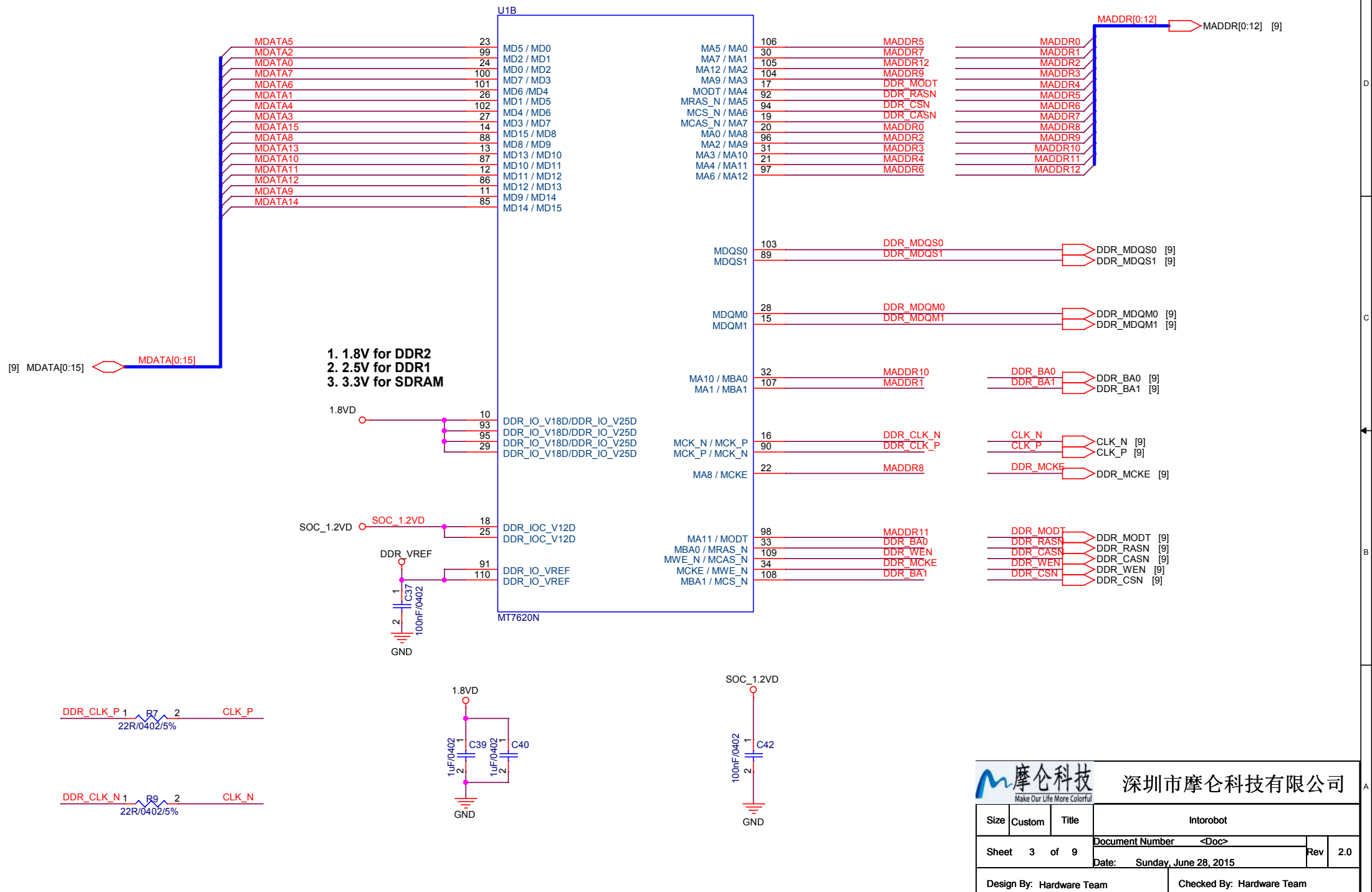
MTK7620N_Crystal




Decouple cap by layout place reserve

		深圳市摩仑科技有限公司 Shenzhen Molun Technology Co., Ltd.	
Size	Custom	Title	
		Intorobot	
Sheet	2 of 9	Document Number	<Doc>
		Date:	Sunday, June 28, 2015
Design By: Hardware Team		Rev	2.0
		Checked By: Hardware Team	

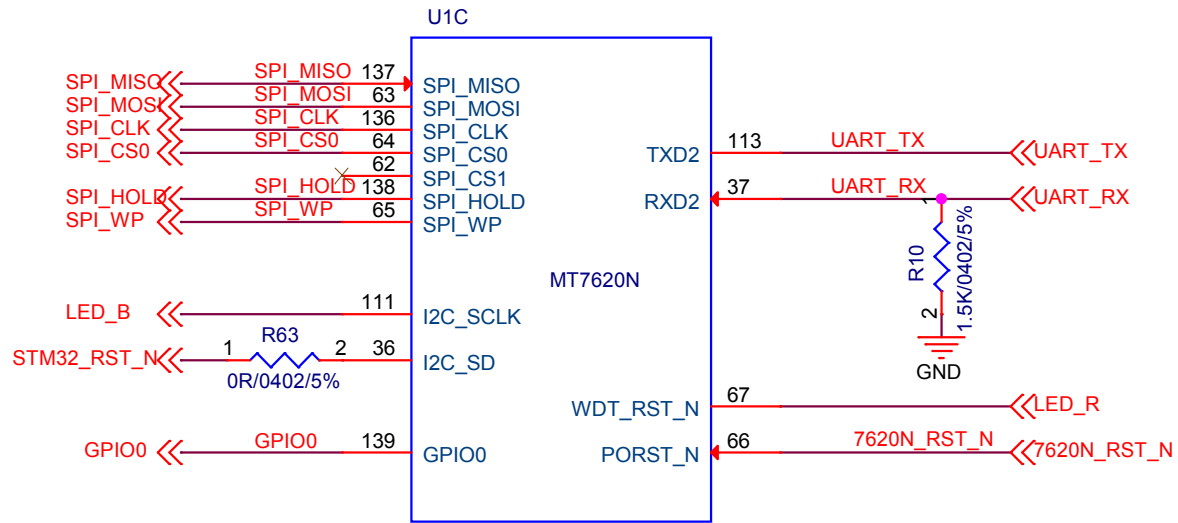
MTK7620N DDR2



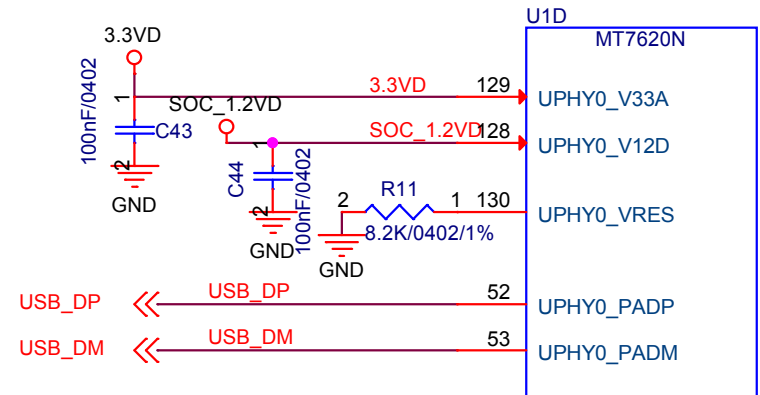

摩仑科技 深圳市摩仑科技有限公司
 Make Our Life More Colorful

Size	Custom	Title	Intorobot	
Sheet	3 of 9	Document Number	<Doc>	Rev 2.0
Design By: Hardware Team		Date: Sunday, June 28, 2015	Checked By: Hardware Team	

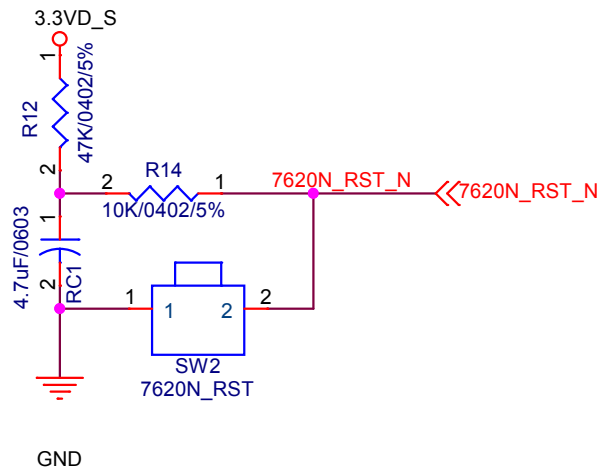
MTK7620N GPIO



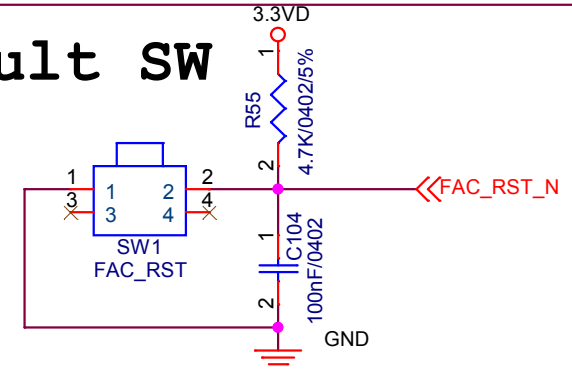
MTK7620N USB




Reset Circuit

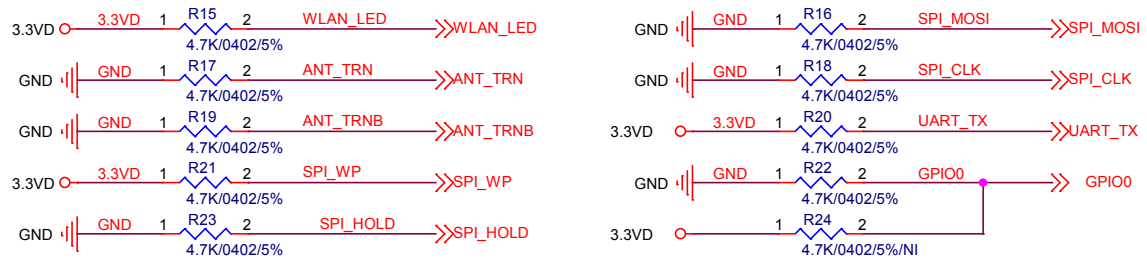


Default SW



 摩仑科技 Make Our Life More Colorful		深圳市摩仑科技有限公司	
Size	Custom	Title	Intorobot
Sheet	4	of	9
Date:		Sunday, June 28, 2015	Rev 2.0
Design By: Hardware Team		Checked By: Hardware Team	

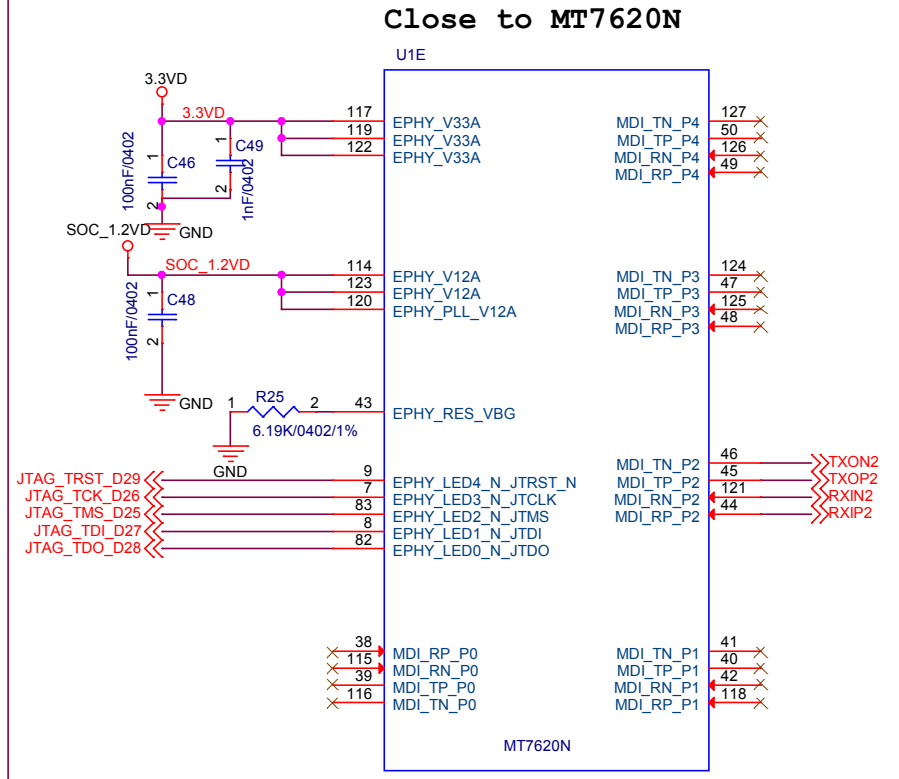
MTK7620N BOOT



MT7620N Boot Up Strapping

Pin Name	Description	Value
WLED_N	DRAM_FROM_EE For non scan mode:	0: DRAM configuration from EEPROM 1: DRAM configuration from Auto Detect
ANT_TRN	DBG_JTAG_MODE	0: EPHY_LED 1: JTAG MODE
ANT_TRNB	XTAL_FREQ_SEL	0: 20MHz 1: 40MHz
{SPI_WP, SPI_HOLD}	DRAM_TYPE	01: DDR1 (CPU/3) TSOP Package 10: DDR2 (CPU/3) FBGA Package * 11: SDRAM (CPU/5) (LVTTL 3.3 V) TSOP Package
{SPI_MOSI, SPI_CLK, TXD2, GPIO0 }	CHIP_MODE[3:0]	A vector to set chip function/test/debug modes. In non-test/debug operation, 0010: Normal mode (boot from SPI 3Byte Addr)

MTK7620N Ethernet

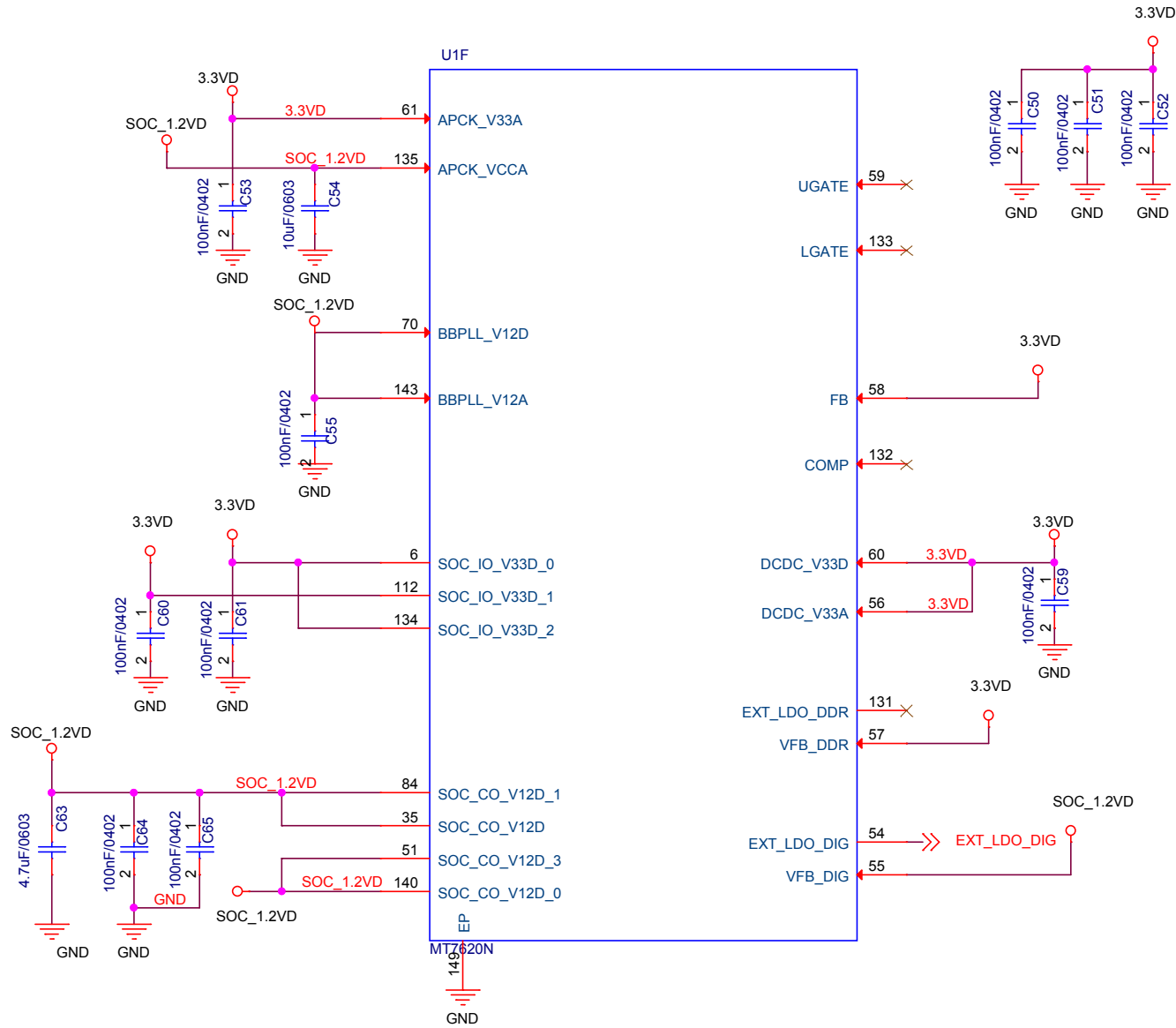


Close to MT7620N

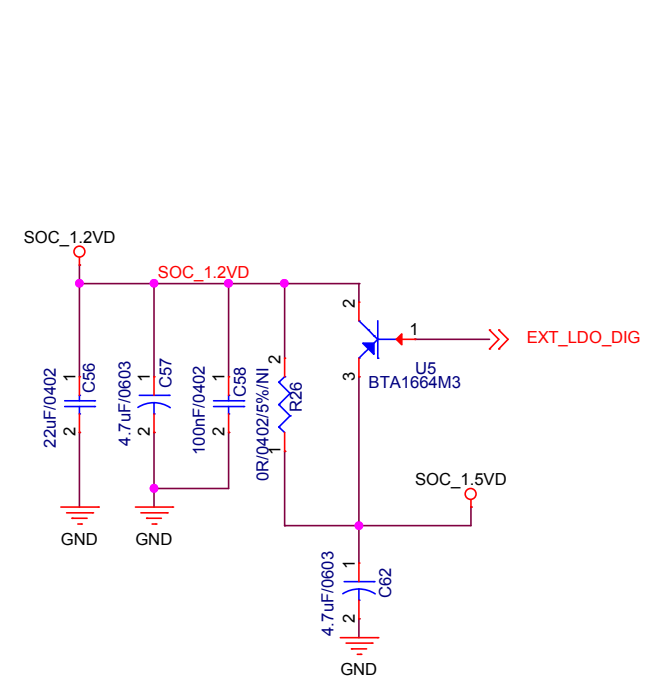
摩仑科技 Make Our Life More Colorful 深圳市摩仑科技有限公司

Size	Custom	Title	Intorobot		
Sheet	5	of	9	Document Number	<Doc>
Date:				Sunday, June 28, 2015	Rev
Design By:				Hardware Team	Checked By:
				Hardware Team	

MTK7620N POWER



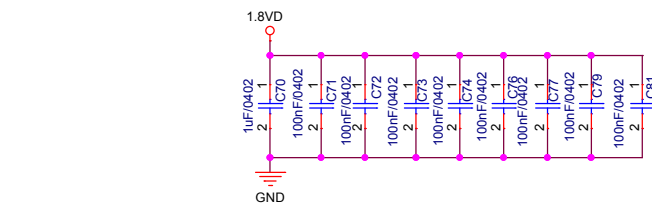
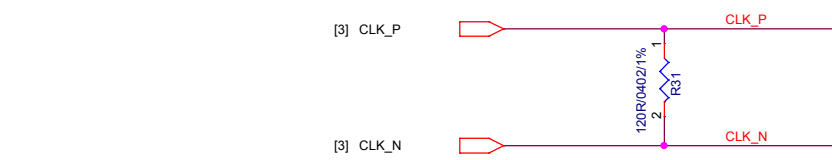
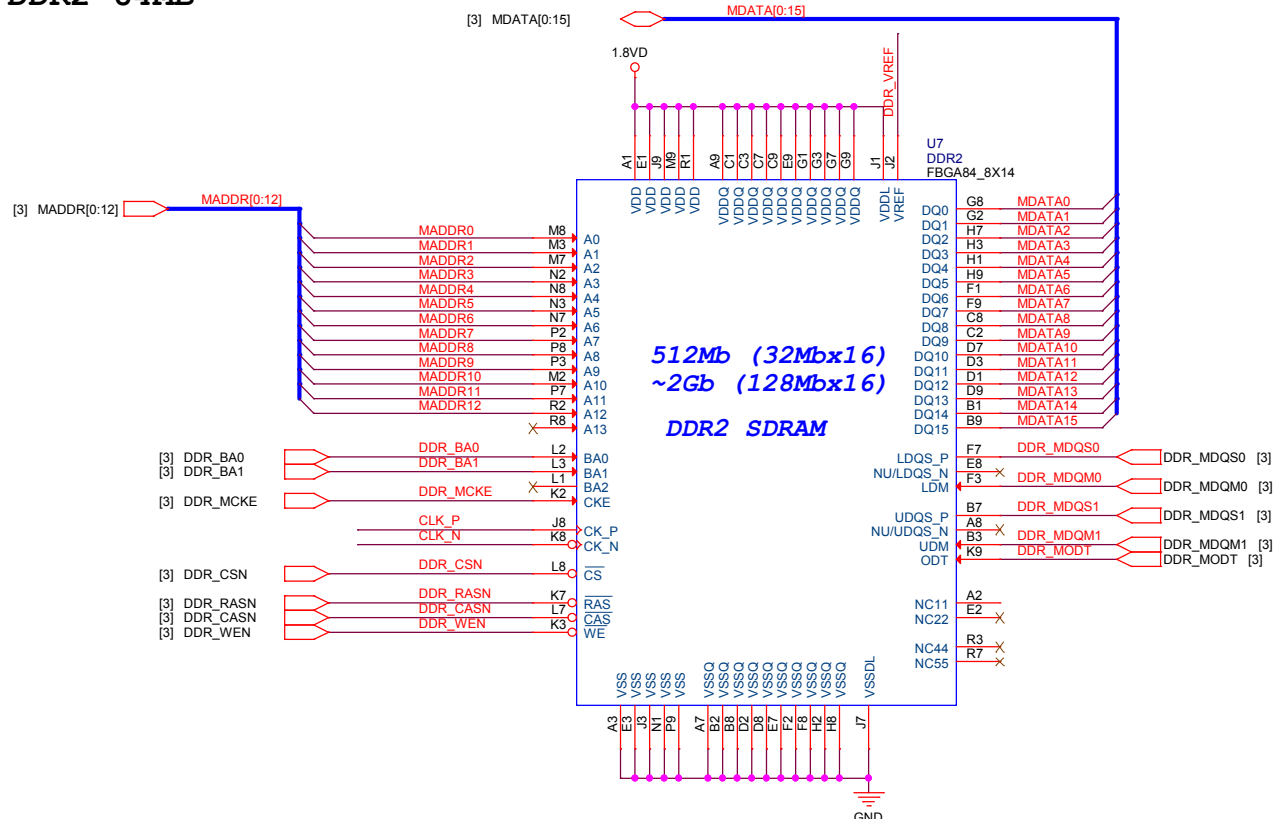
PNP-LDO 1.8v---1.2v



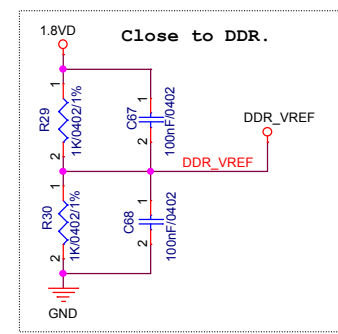
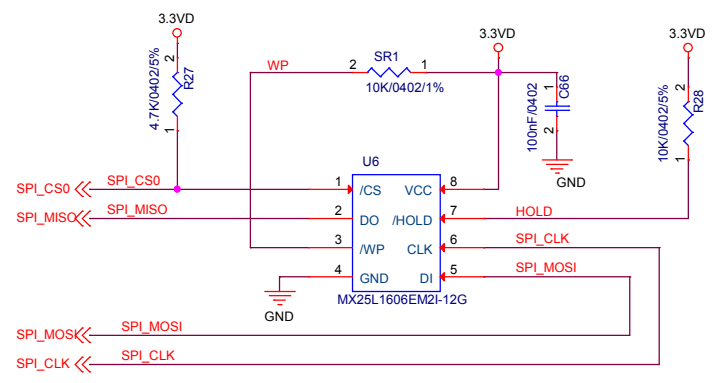
深圳市摩仑科技有限公司

Size	Custom	Title	Intorobot		
Sheet	6	of	9	Document Number	<Doc>
Date:			Sunday, June 28, 2015	Rev	2.0
Design By:			Hardware Team	Checked By: Hardware Team	

DDR2 64MB

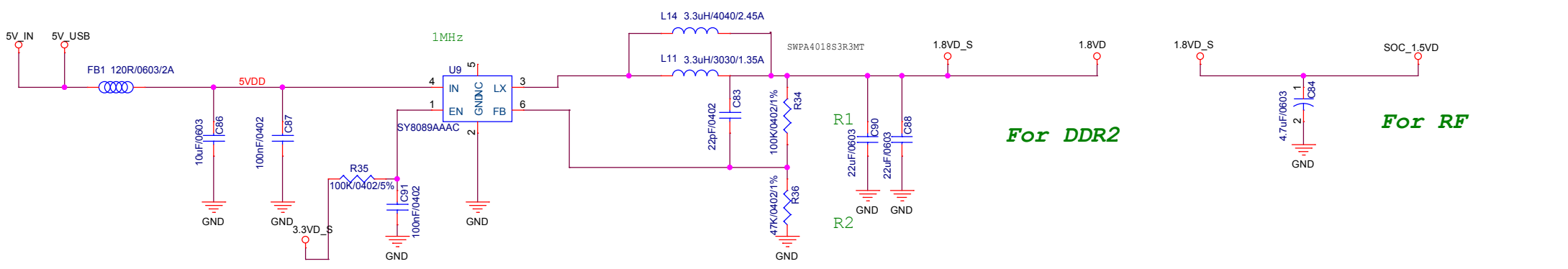


SPI Flash

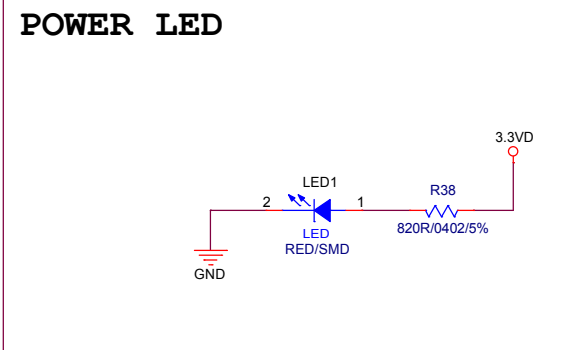
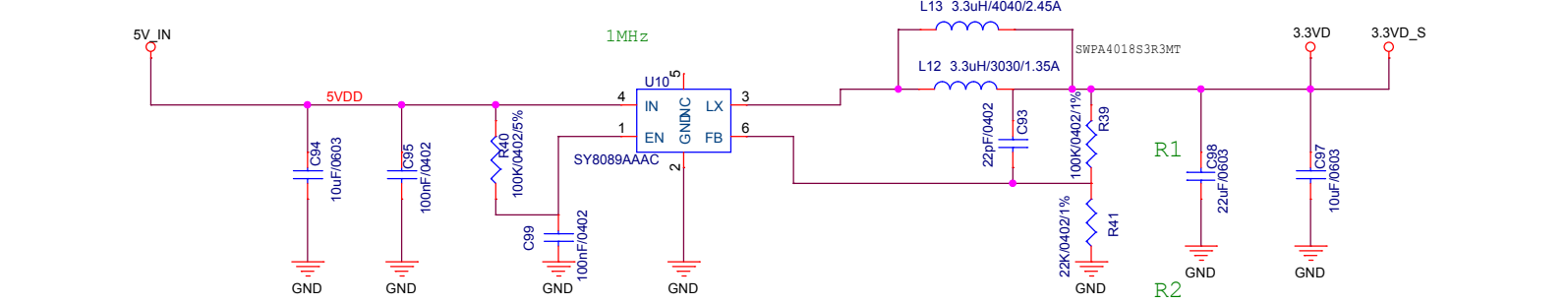


		深圳市摩仑科技有限公司	
Size	B	Title	
Sheet	7 of 9	Document Number	<Doc>
Design By: Hardware Team		Date: Sunday, June 28, 2015	Rev 2.0
Checked By: Hardware Team			

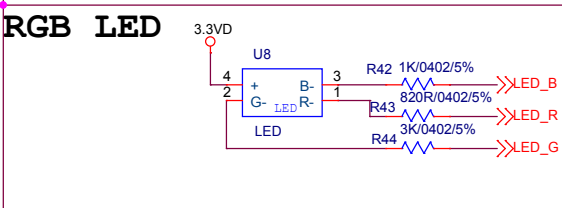
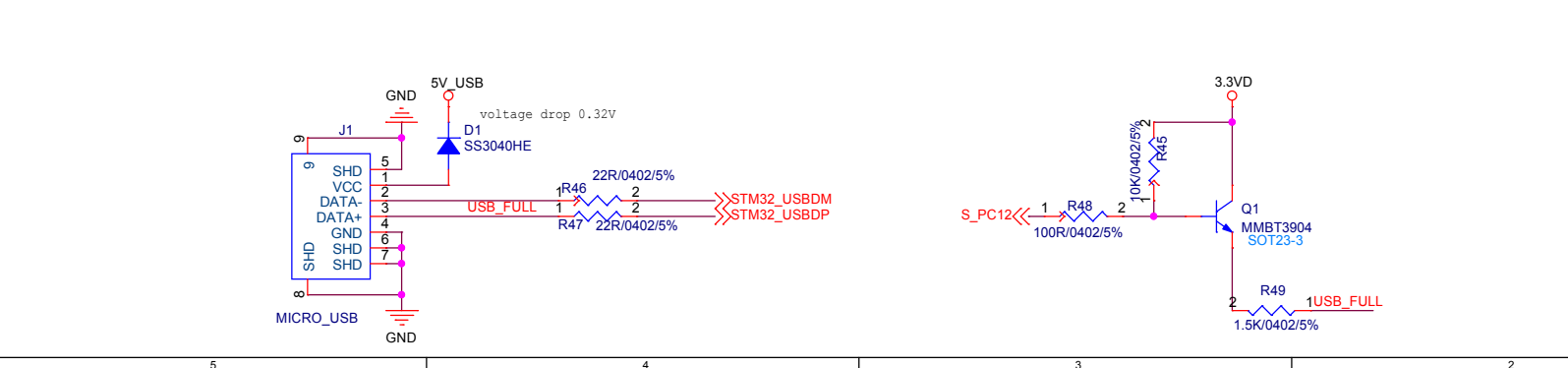
DCDC 5v---1.8



DCDC 5v---3.3v



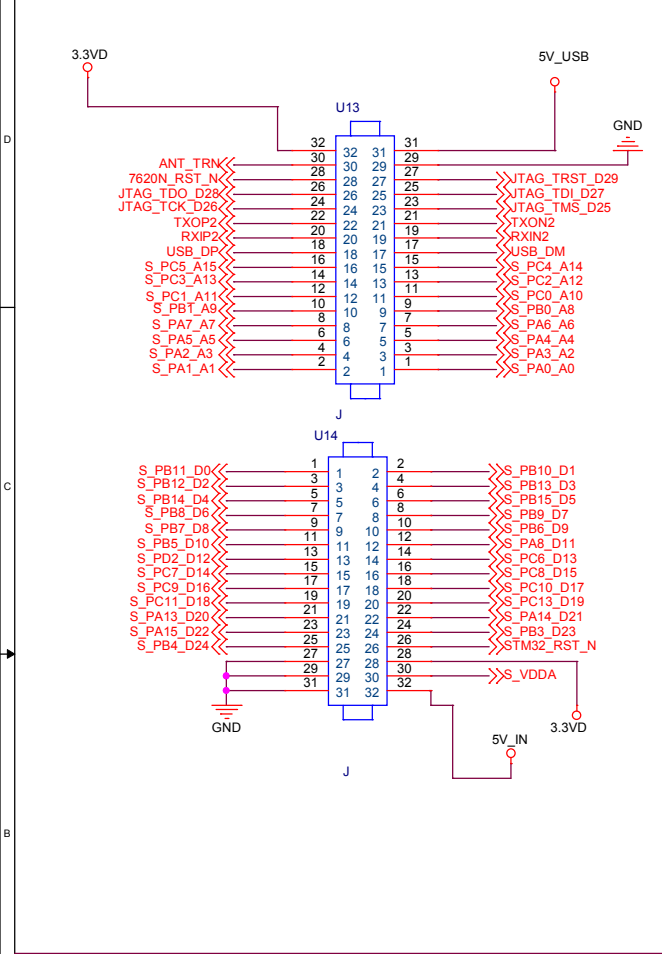
USB 2.0



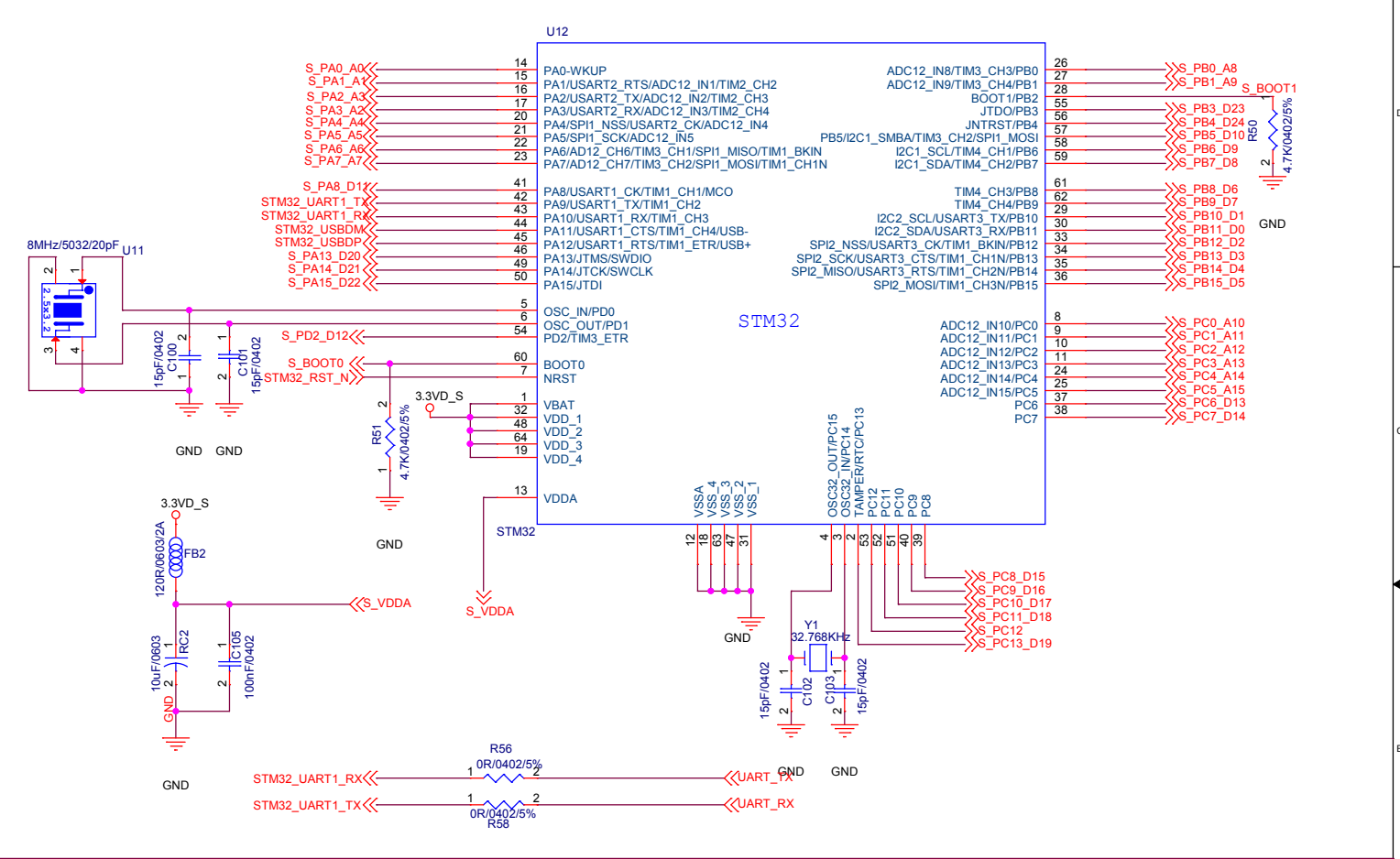
深圳市摩仑科技有限公司

Size	Custom	Title	Intorobot	
Sheet	8	of	9	Rev 2.0
Design By: Hardware Team		Checked By: Hardware Team		

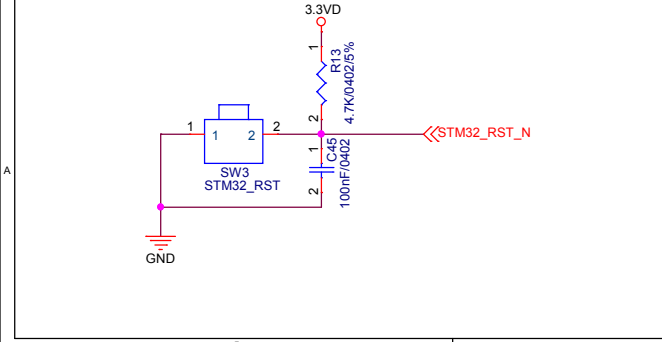
GPIO



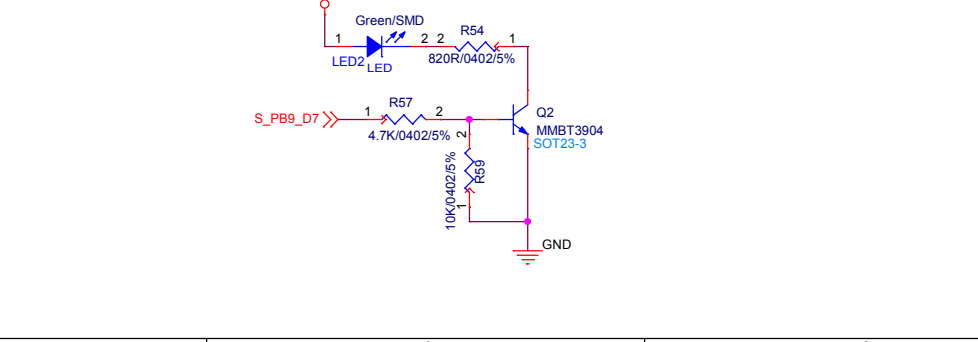
STM32



STM32 Reset



Sample LED



		深圳市摩仑科技有限公司 Intorobot	
Sheet: 9 of 9	Date: Sunday, June 28, 2015	Design By: Hardware Team	Checked By: Hardware Team