

6

5

4

3

2

1

REVISION RECORD			
LTR	ECO NO:	APPROVED:	DATE:

D

D

C

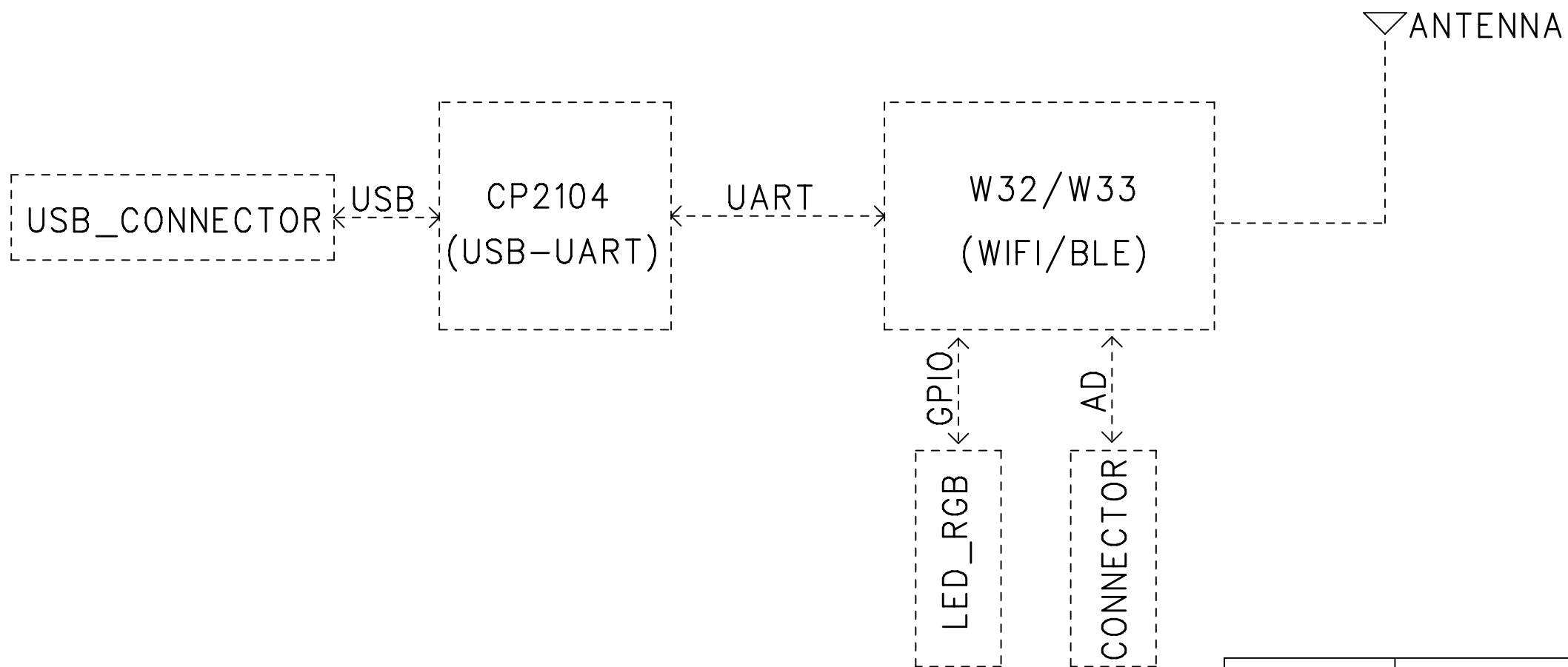
C

B

B

A

A



COMPANY:	MOLMC		
TITLE:	Intorobot-Fig		
CODE:	SIZE:	DRAWING NO:	REV:
M003	B	PM 162501	B
SCALE: <Scale>		SHEET: 1 OF 3	

DRAWN:	HERMAN	DATED:	20161210
CHECKED:	WEI	DATED:	20161210
QUALITY CONTROL:	ROBIN	DATED:	20161225
RELEASED:	HERMAN	DATED:	20161225

6

5

4

3

2

1

D

D

C

C

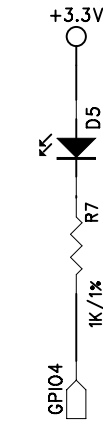
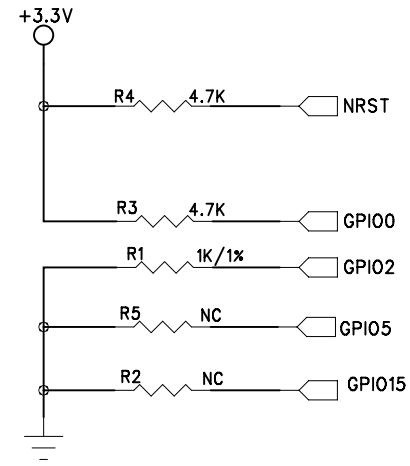
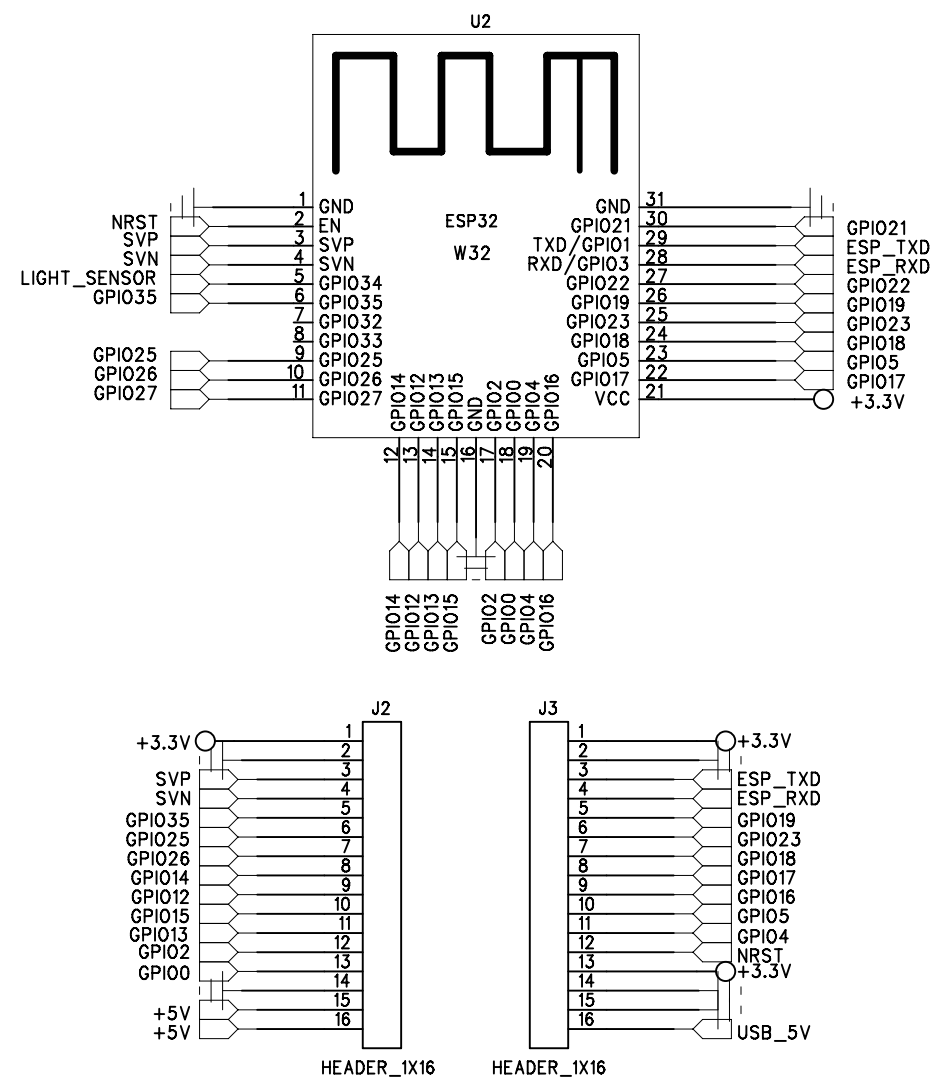
B

B

A

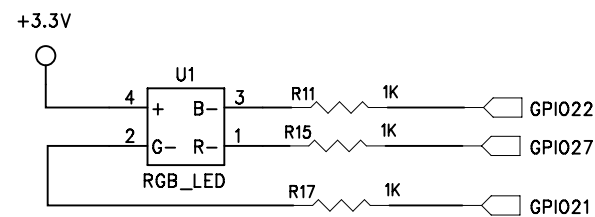
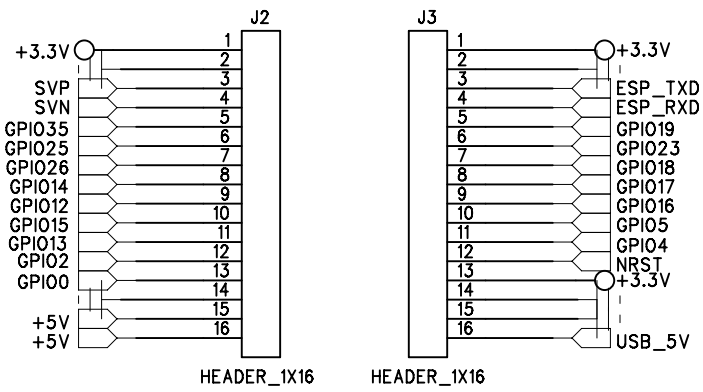
A

REVISION RECORD			
LTR	ECO NO:	APPROVED:	DATE:



MATTERS NEEDING ATTENTION:
On every boot/reset/wakeup

	RUN MODE	Download MODE.
GPIO0	1	0
GPIO2	X	0



COMPANY:		MOLMC		
TITLE: Intorobot-Fig				
CODE:	SIZE:	DRAWING NO:		REV:
M003	B	PM 162501		B
SCALE: <Scale>				SHEET: 2 OF 3

DRAWN:	HERMAN	DATED:	20161210
CHECKED:	WEI	DATED:	20161210
QUALITY CONTROL:	ROBIN	DATED:	20161225
RELEASED:	HERMAN	DATED:	20161225

6

5

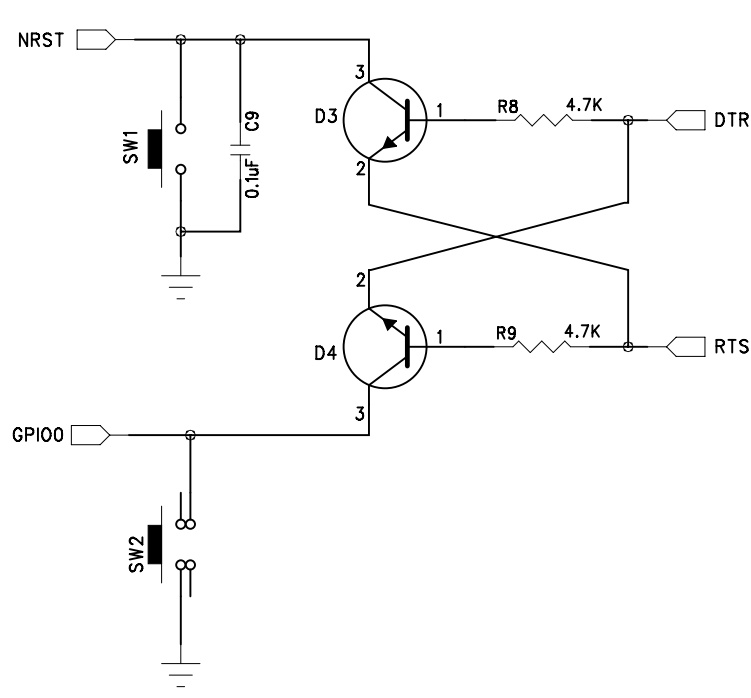
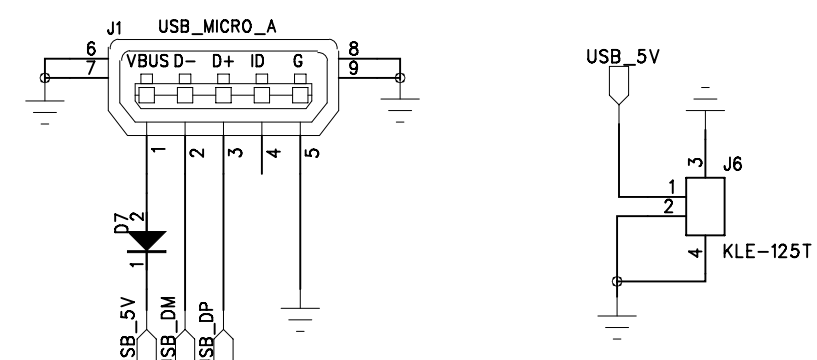
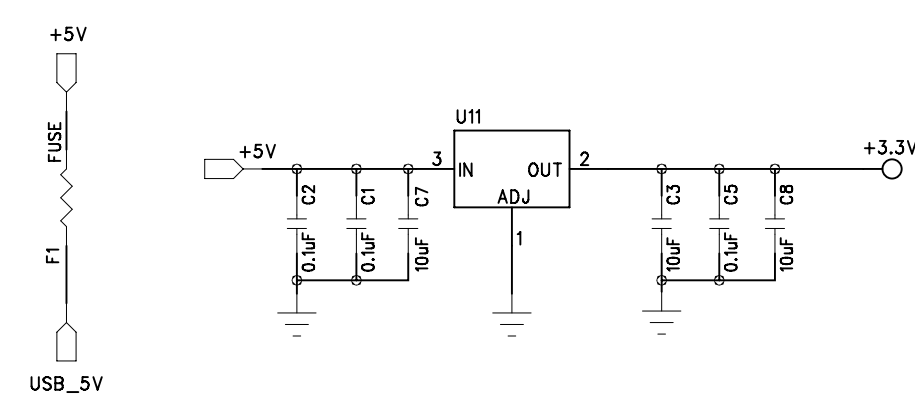
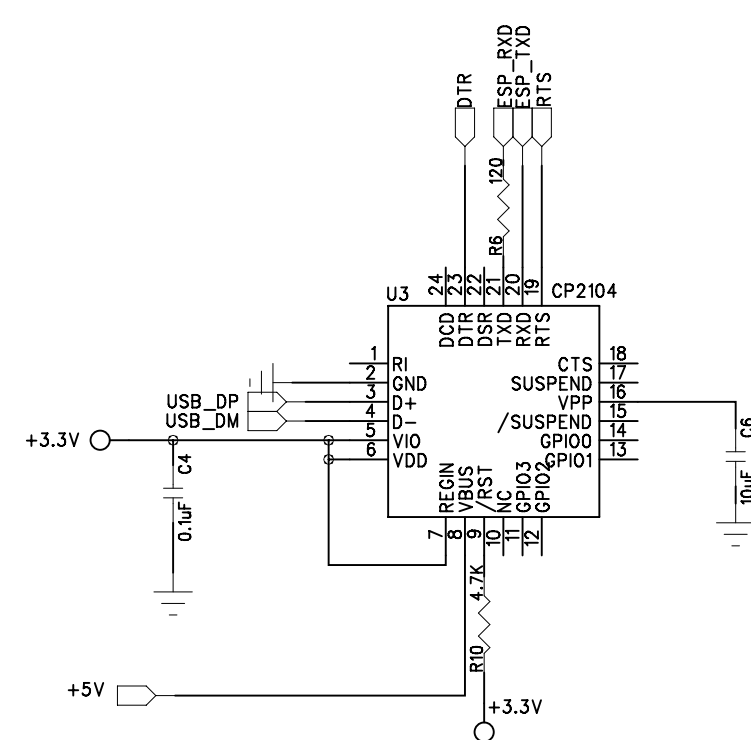
4

3

2

1

REVISION RECORD			
LTR	ECO NO:	APPROVED:	DATE:



AUTO PROGRAM CIRCUIT			
DTR	RTS	RST	GPIO0
1	1	1	1
0	0	1	1
1	0	0	1
0	1	1	0

DRAWN:	HERMAN	DATED:	20161210
CHECKED:	WEI	DATED:	20161210
QUALITY CONTROL:	ROBIN	DATED:	20161225
RELEASED:	HERMAN	DATED:	20161225

COMPANY:	MOLMC		
TITLE:	Intorobot-Fig		
CODE:	SIZE:	DRAWING NO:	REV:
M003	B	PM 162501	B
SCALE: <Scale>			SHEET: 3 OF 3

D

C

B

A

D

C

B

A