

6

5

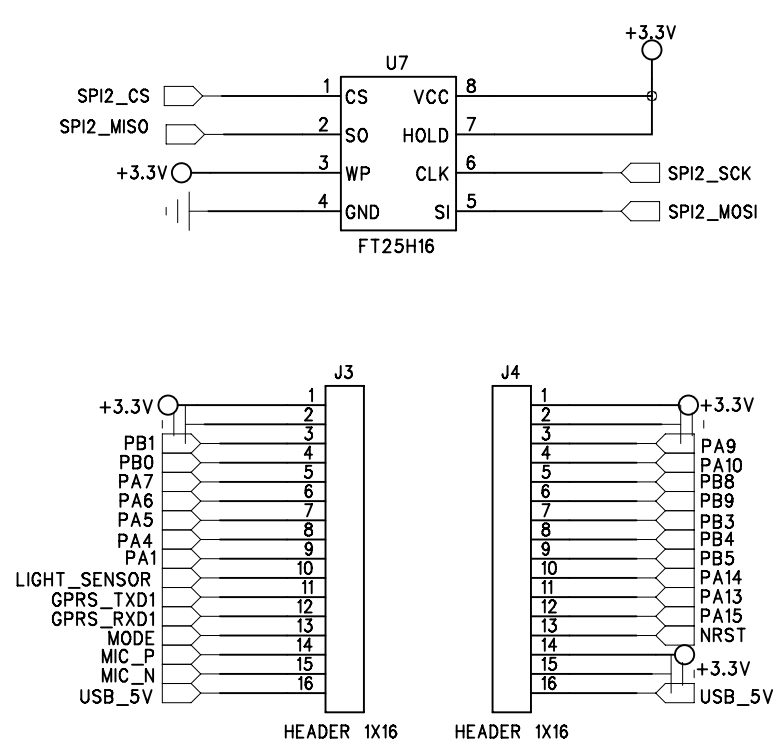
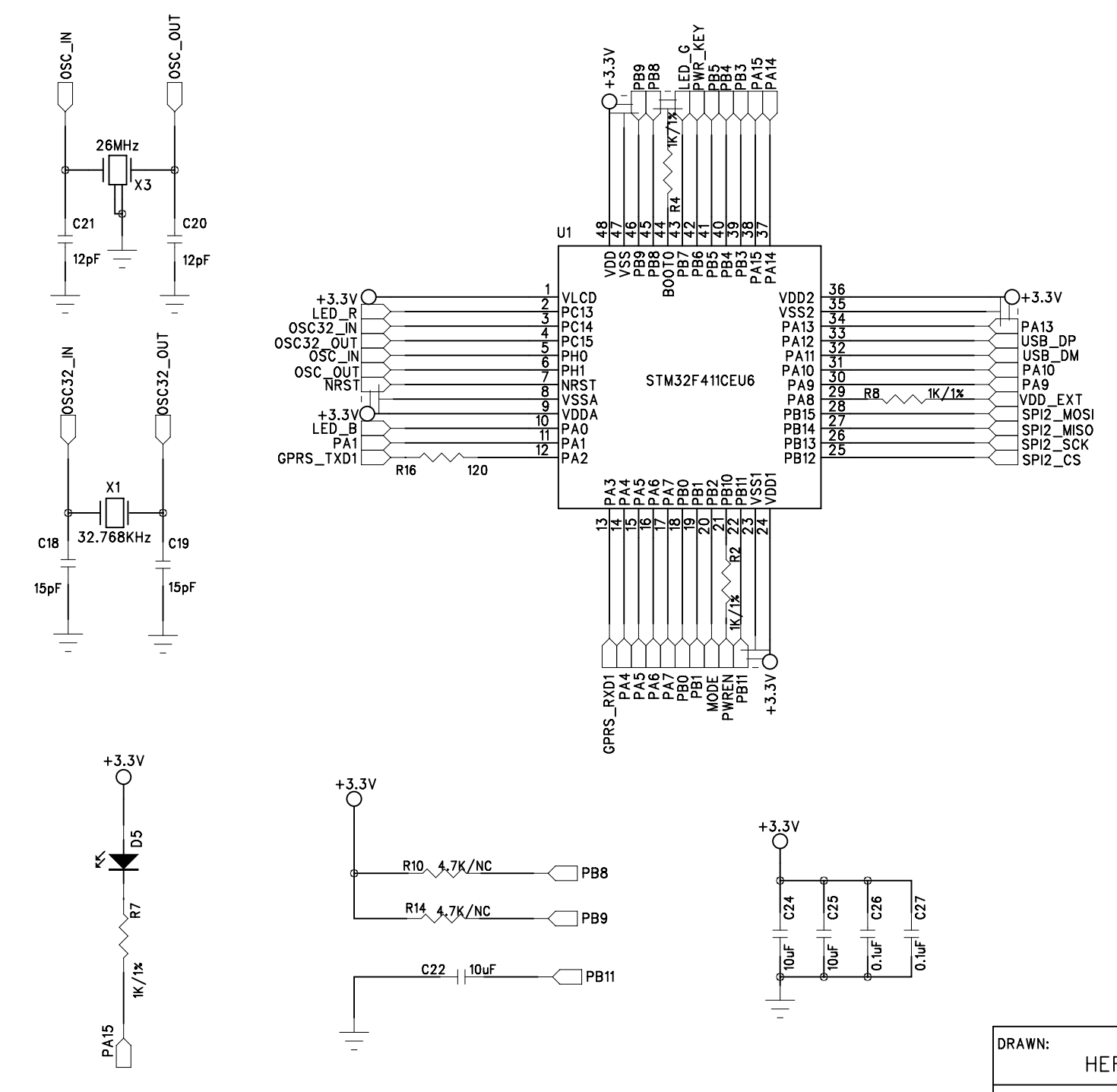
4

3

2

1

REVISION RECORD			
LTR	ECO NO:	APPROVED:	DATE:



COMPANY:		MOLMC		
TITLE:				
Intorobot-Fox				
DRAWN:	HERMAN	DATED:	20170305	
CHECKED:	WEI	DATED:	20180510	
QUALITY CONTROL:	ROBIN	DATED:	20170305	
RELEASED:	HERMAN	DATED:	20170305	
CODE:	SIZE:	DRAWING NO:	REV:	
M005	B	PM 170727	A	
SCALE: <Scale>			SHEET: 1 OF 3	

D

C

B

A

D

C

B

A

6

5

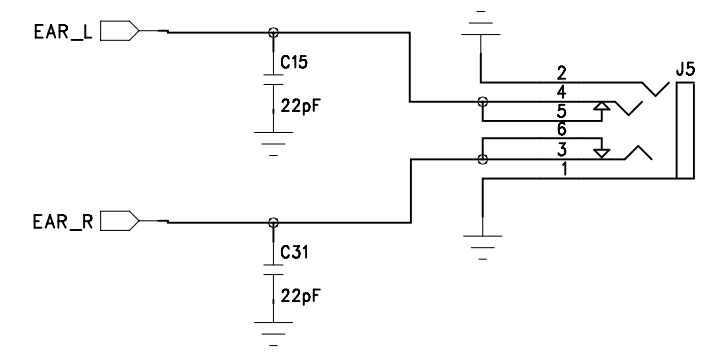
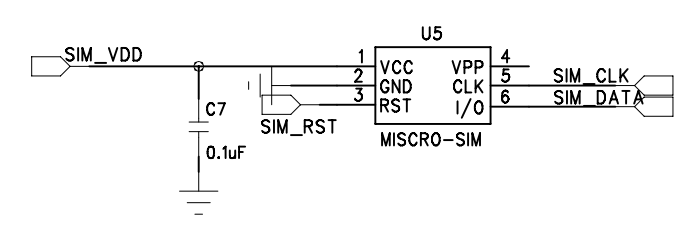
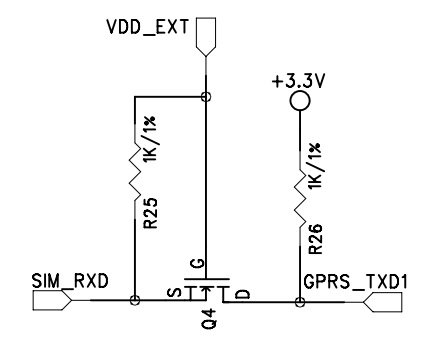
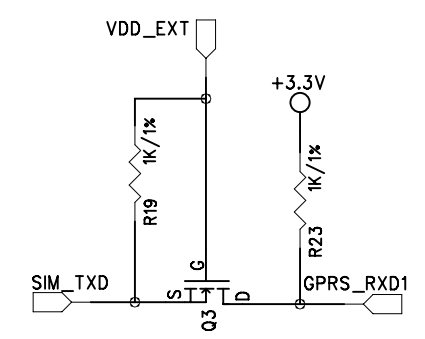
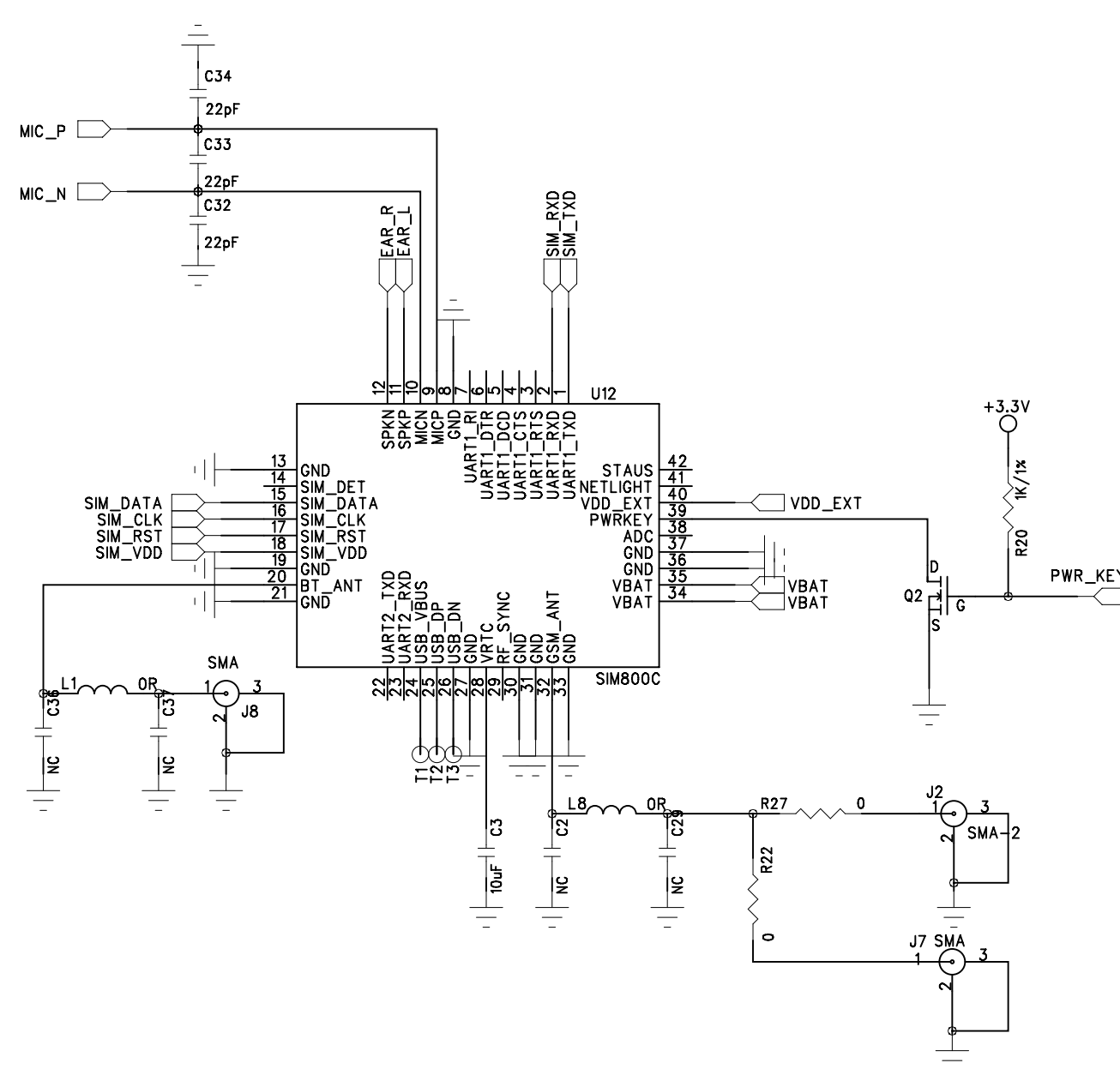
4

3

2

1

REVISION RECORD			
LTR	ECO NO:	APPROVED:	DATE:



DRAWN:	HERMAN	DATED:	20170305
CHECKED:	WEI	DATED:	20180510
QUALITY CONTROL:	ROBIN	DATED:	20170305
RELEASED:	HERMAN	DATED:	20170305

COMPANY:		MOLMC	
TITLE:			
Intorobot-Fox			
CODE:	SIZE:	DRAWING NO:	REV:
M005	B	PM 170727	A
SCALE: <Scale>			SHEET: 2 OF 3

6

5

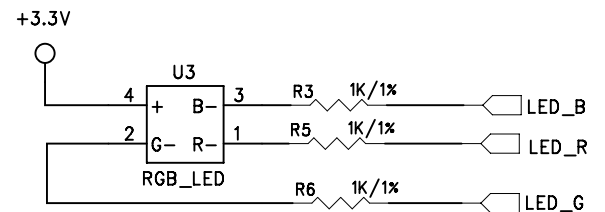
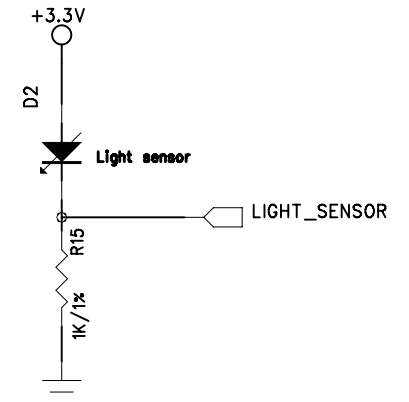
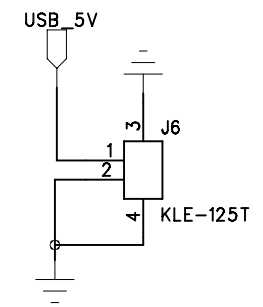
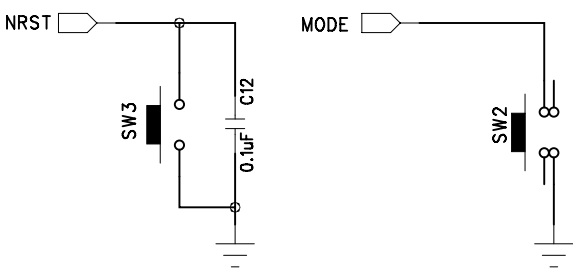
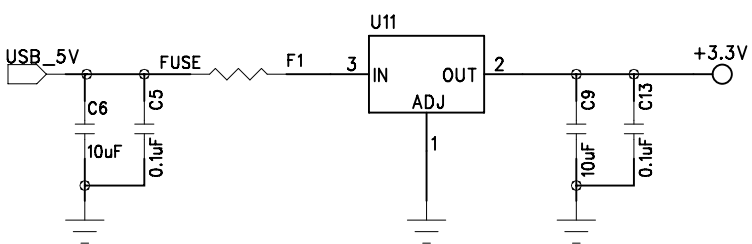
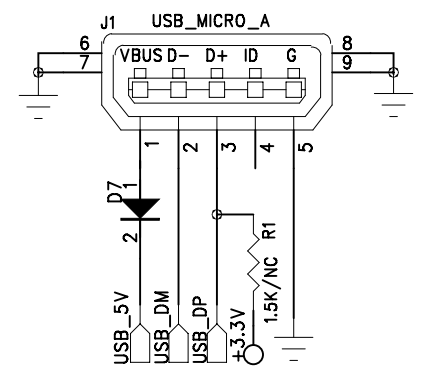
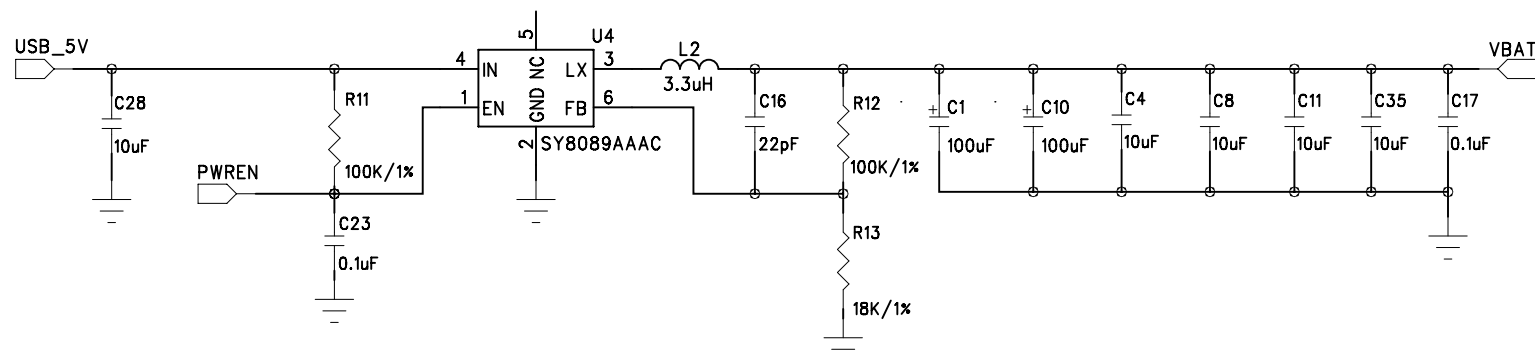
4

3

2

1

REVISION RECORD			
LTR	ECO NO:	APPROVED:	DATE:



COMPANY:		MOLMC		
TITLE: Intorobot-Fox				
DRAWN: HERMAN	DATED: 20170305	CODE: M005	SIZE: B	DRAWING NO: PM 170727
CHECKED: WEI	DATED: 20180510	REV: A		
QUALITY CONTROL: ROBIN	DATED: 20170305			
RELEASED: HERMAN	DATED: 20170305	SCALE: <Scale>		SHEET: 3 OF 3

D

C

B

A

D

C

B

A