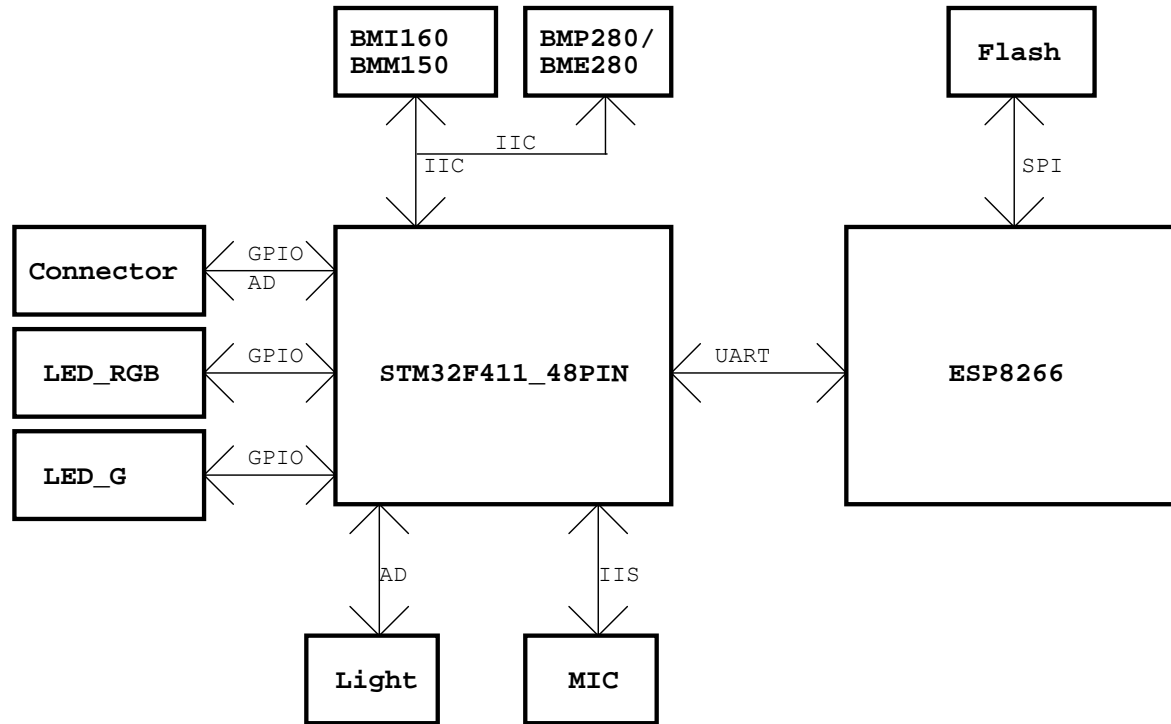
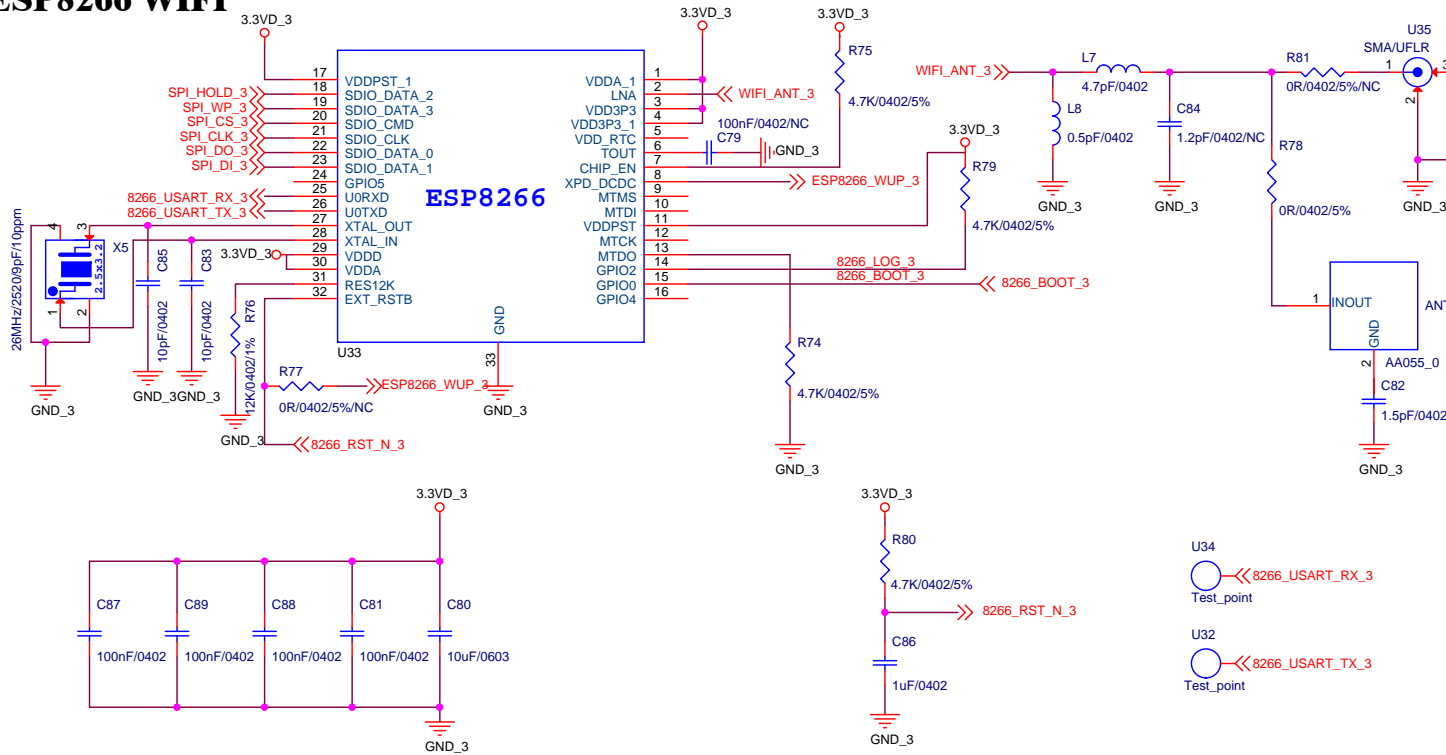


IntoRobot-Neutron Schematic

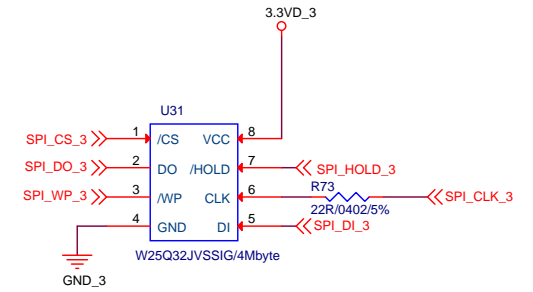


IntoRobot®			深圳市摩仑科技有限公司		
Size	B	Title	IntoRobot-Neutron		
Sheet 1 of 5		Document Number	<Doc>		Rev V3.0
		Date:	Friday, July 08, 2016		
Design By: Hardware Team			Checked By: Hardware Team		

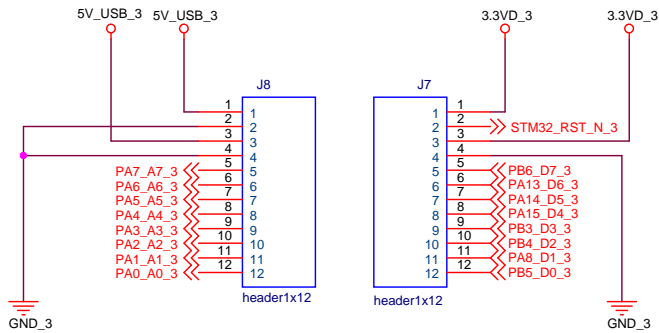
ESP8266 WIFI



SPI FLASH

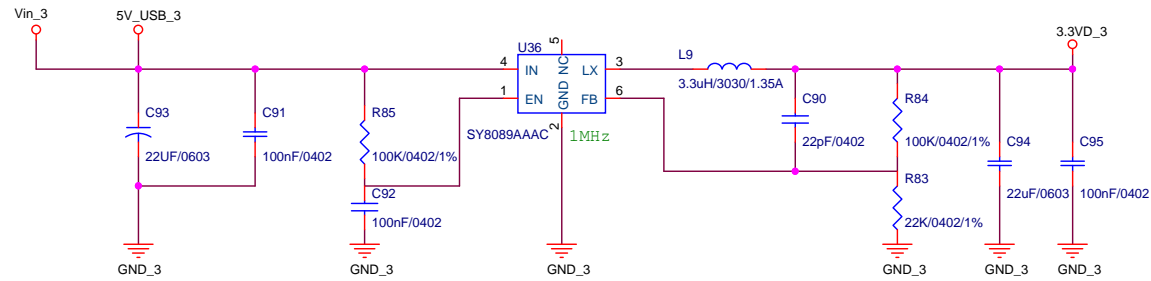


GPIO



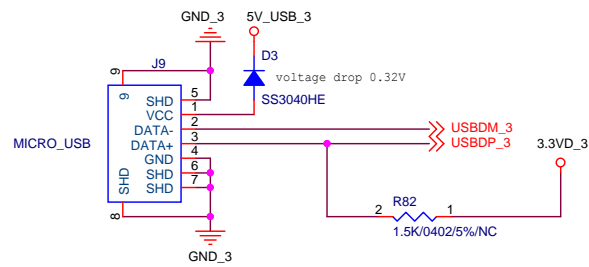
IntoRobot®		深圳市摩仑科技有限公司	
Size	B	Title	IntoRobot-Neutron
Sheet	2 of 5	Document Number	<Doc>
		Date:	Friday, July 08, 2016
Design By: Hardware Team		Checked By: Hardware Team	

DC-DC 5V---3.3V



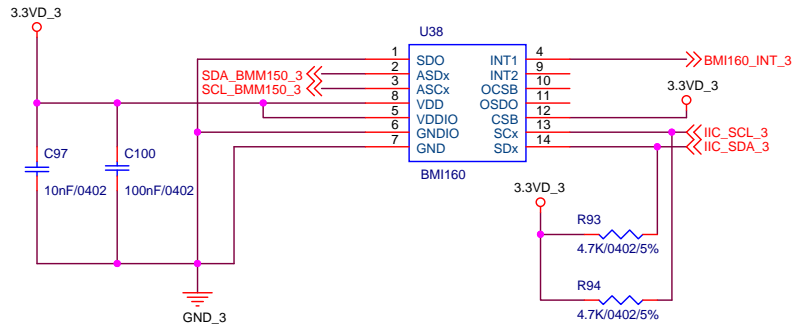
3.3V for System Power

USB 2.0



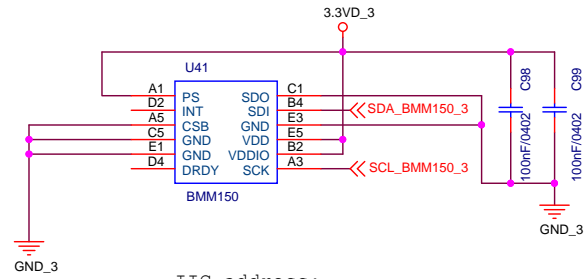
IntoRobot®		深圳市摩仑科技有限公司	
Size	B	Title	
		IntoRobot-Neutron	
Sheet 3 of 5		Document Number	<Doc>
		Date:	Friday, July 08, 2016
Design By: Hardware Team		Checked By: Hardware Team	
		Rev	V3.0

BMI160 GYROSCOPE AND ACCELEROMETER SENSOR



IIC address 0b1101000 (0x68)
SDO pin is pulled to 'GND'

BMM150 GEOMAGNETIC SENSOR

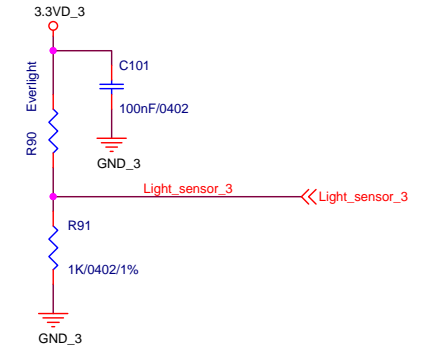


IIC address:

CSB SDO I2C address

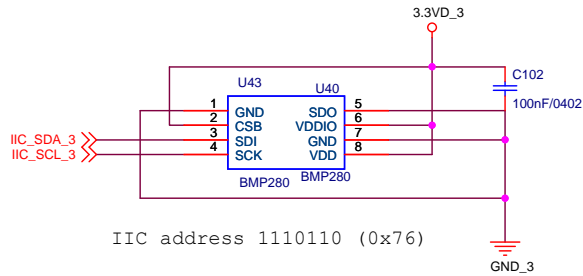
GND	GND	0x10
GND	VDDIO	0x11
VDDIO	GND	0x12
VDDIO	VDDIO	0x13

LIGHT SENSOR



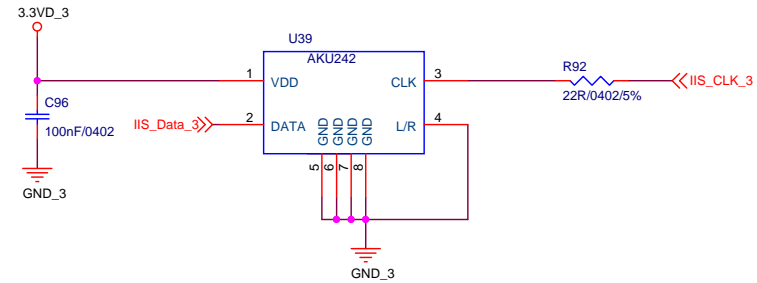
PO188
ALS-PT19-315C/L177/TR8
LX1972

BMP280 PRESSURE SENSOR



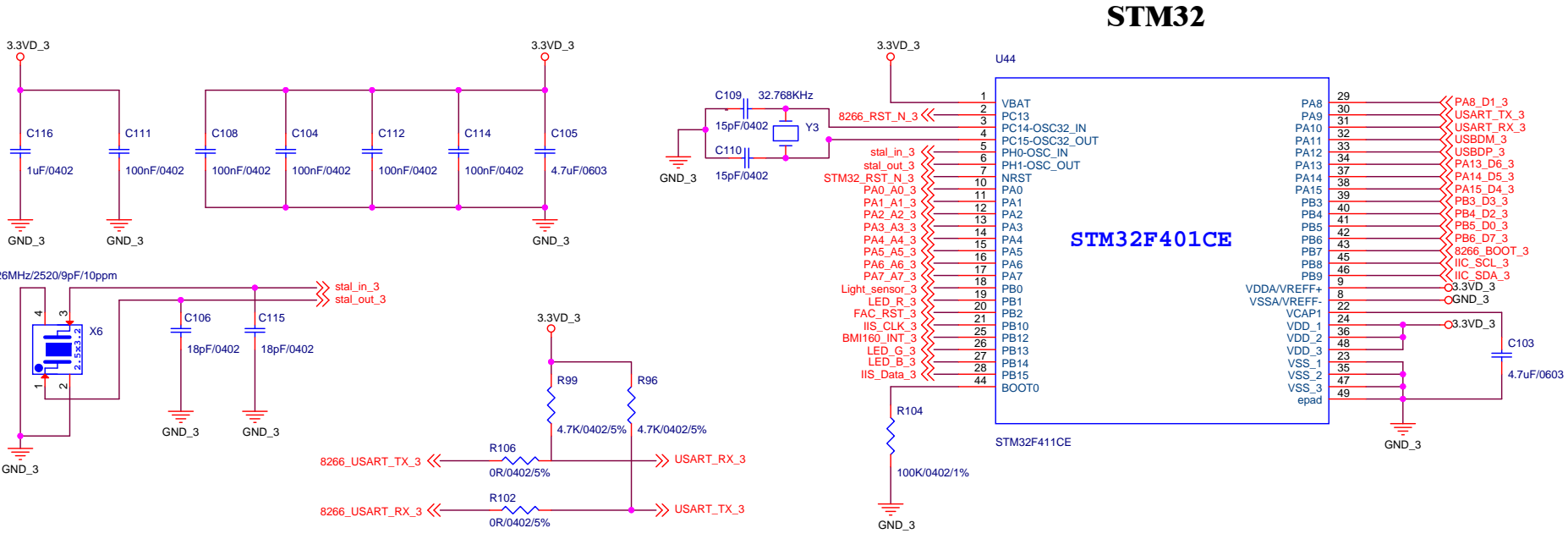
IIC address 1110110 (0x76)

MIC

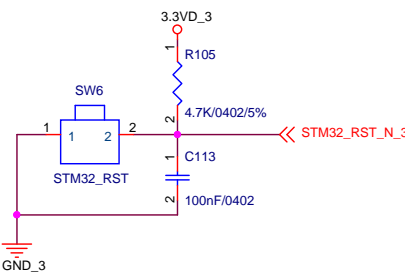


AKU240 CLK 1-3.25MHz

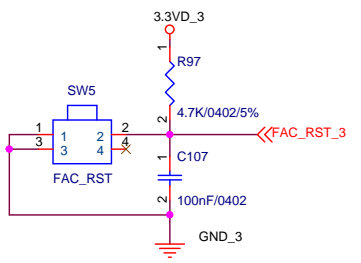
IntoRobot®		深圳市摩仑科技有限公司	
Size	B	Title	IntoRobot-Neutron
Sheet	4	of	5
Document Number		<Doc>	
Date:		Friday, July 08, 2016	
Design By: Hardware Team		Checked By: Hardware Team	
Rev		V3.0	



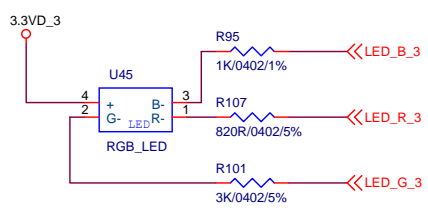
SMT32 RESET



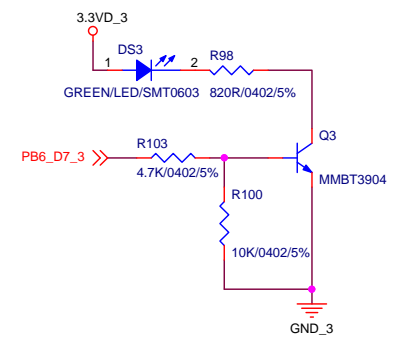
DEFAULT RESET



RGB LED



EXAMPLE LED



IntoRobot®		深圳市摩仑科技有限公司	
Size	B	Title	IntoRobot-Neutron
Sheet	5	of	5
Document Number		<Doc>	
Date:		Friday, July 08, 2016	
Design By: Hardware Team		Checked By: Hardware Team	
Rev	V3.0		