

6

5

4

3

2

1

REVISION RECORD			
LTR	ECO NO:	APPROVED:	DATE:

D

D

C

C

B

B

A

A

USB\_CONNECTOR

USB

CP2104  
(USB-UART)

UART

ESP8266  
(WIFI MODULE)

ANTENNA

GPIO

LED\_RGB

A/D

CONNECTOR

COMPANY: **www.molmc.com**

TITLE: **Nut**

DRAWN: <b>HERMAN</b>	DATED: <b>20160520</b>
CHECKED: <b>WEI</b>	DATED: <b>20160610</b>
QUALITY CONTROL: <b>ROBIN</b>	DATED: <b>20160625</b>
RELEASED: <b>HERMAN</b>	DATED: <b>20160625</b>

CODE: <b>M003</b>	SIZE: <b>B</b>	DRAWING NO: <b>PM 162501</b>	REV: <b>B</b>
SCALE: <Scale>			SHEET: bf 3

6

5

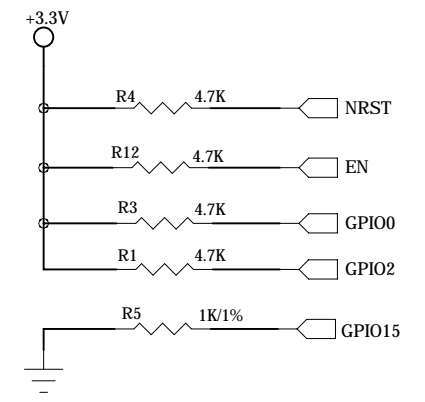
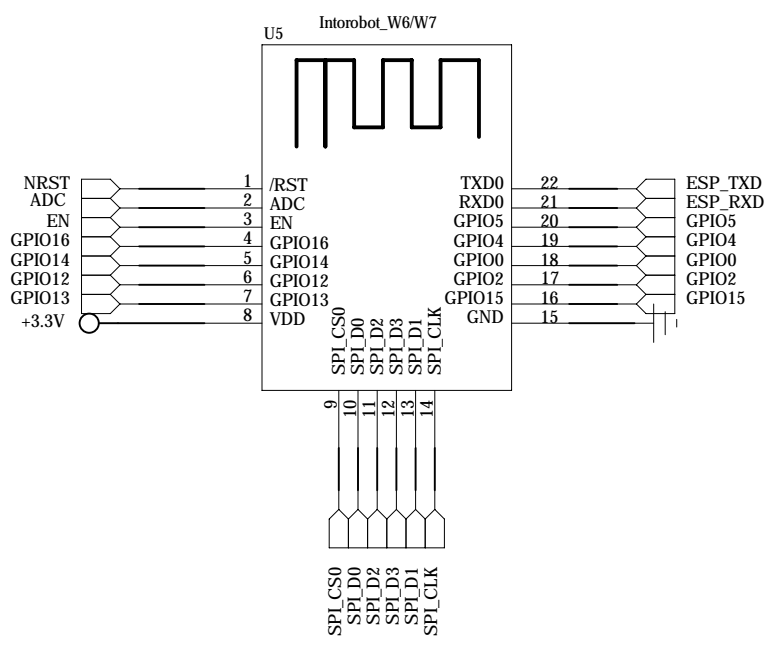
4

3

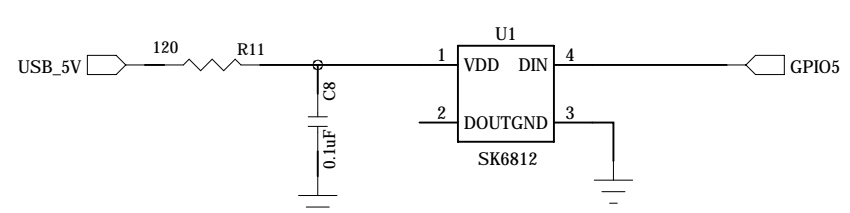
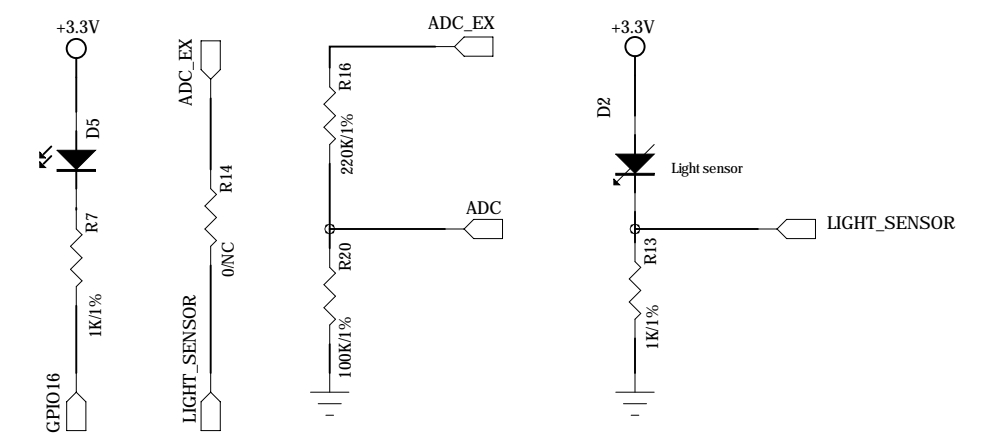
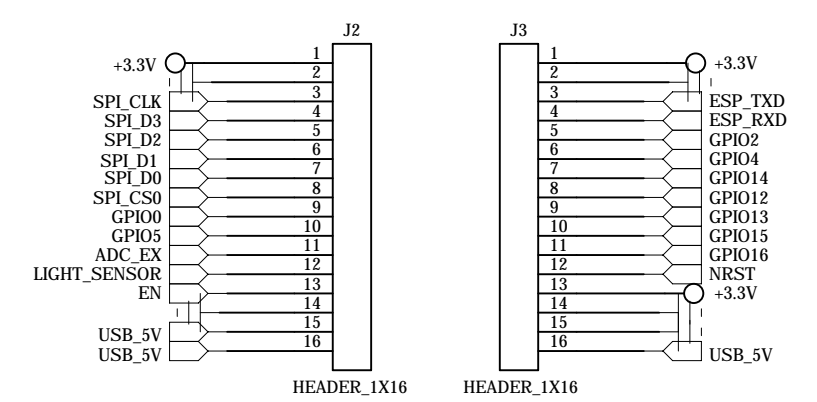
2

1

REVISION RECORD			
LTR	ECO NO:	APPROVED:	DATE:



MATTERS NEEDING ATTENTION:  
 On every boot/reset/wakeup,  
 GPIO15 MUST keep LOW, GPIO2 MUST keep HIGH,  
 GPIO0 HIGH -> RUN MODE, LOW -> FLASH MODE.



COMPANY:	www.molmc.com		
TITLE:	Nut		
CODE:	SIZE:	DRAWING NO:	REV:
M003	B	PM 162501	B
SCALE: <Scale>		SHEET: 2F 3	

DRAWN:	HERMAN	DATED:	20160520
CHECKED:	WEI	DATED:	20160610
QUALITY CONTROL:	ROBIN	DATED:	20160625
RELEASED:	HERMAN	DATED:	20160625

D

D

C

C

B

B

A

A

6

5

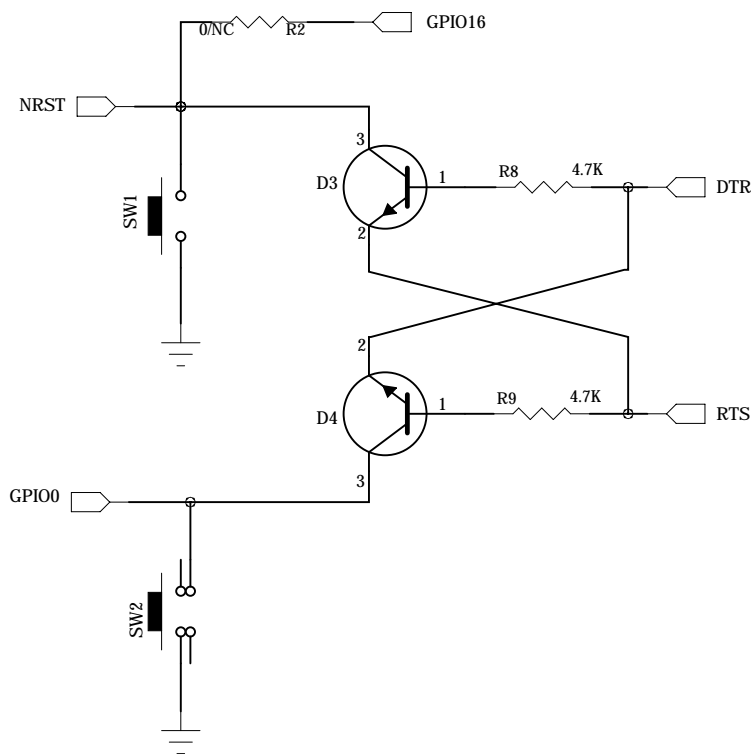
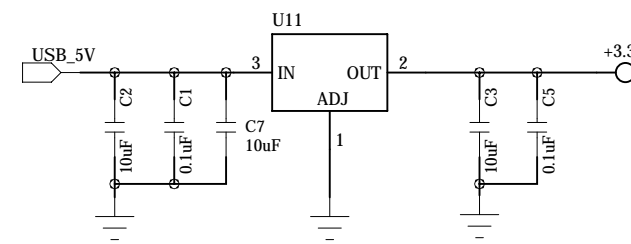
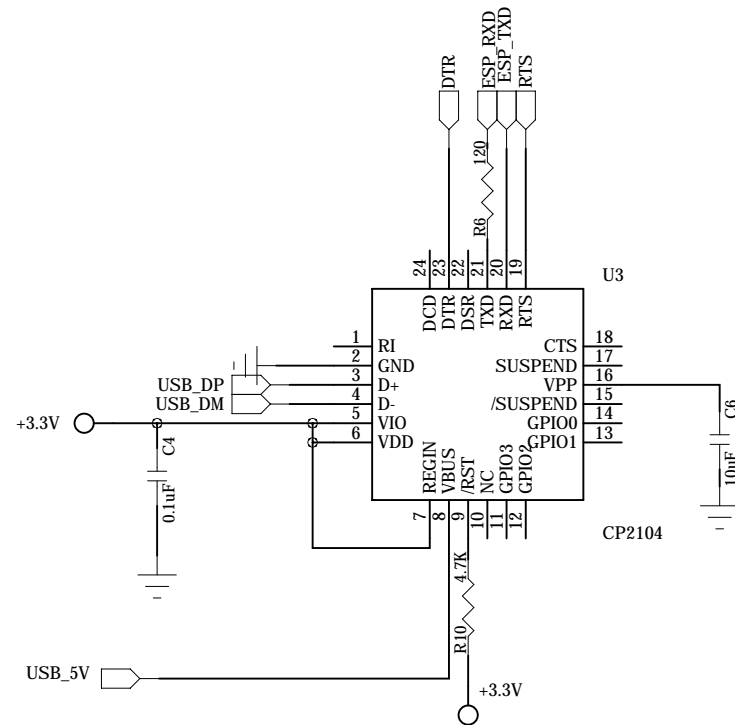
4

3

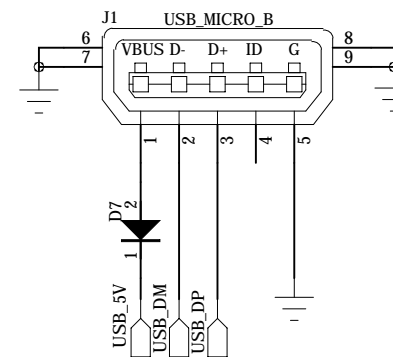
2

1

REVISION RECORD			
LTR	ECO NO:	APPROVED:	DATE:



AUTO PROGRAM CIRCUIT			
DTR	RTS	RST	GPIO0
1	1	1	1
0	0	1	1
1	0	0	1
0	1	1	0



COMPANY:				www.molmc.com							
TITLE:				Nut							
DRAWN:		DATED:		CODE:		SIZE:		DRAWING NO:		REV:	
HERMAN		20160520		M003		B		PM 162501		B	
CHECKED:		DATED:		QUALITY CONTROL:		DATED:		RELEASED:		DATED:	
WEI		20160610		ROBIN		20160625		HERMAN		20160625	
SCALE: <Scale>								SHEET: 3F 3			